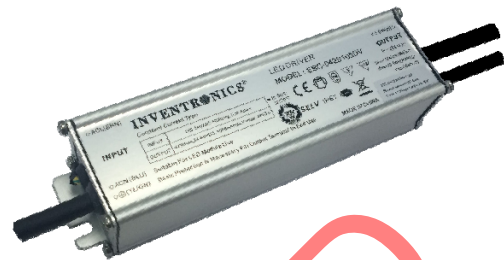


Features

- High Efficiency (Up to 88%)
- Constant Current Output
- 0-10V Dimmable
- Input Surge Protection: 6kV line-line, 10kV line-earth
- All-Around Protection: OVP, SCP, OTP
- Waterproof (IP67)
- SELV Output
- Suitable for Independent Use



TUV CE CB CCC

Description

The EBC-042S105DV(SV)-000x series is a 42W, constant-current IP67 LED driver that operates from 160-305 Vac input with excellent power factor. It is created for low bay, tunnel and street lights. The high efficiency of these drivers and compact metal case enables them to run cooler, significantly improving reliability and extending product life. To ensure trouble-free operation, protection is provided against input surge, output over voltage, short circuit, and over temperature.

Models

Output Current	Input Voltage Range(1)	Output Voltage Range	Max. Output Power	Typical Efficiency (2)	Power Factor (2)	Model Number (3)
700 mA	160~305 Vac	30~60 Vdc	42 W	88%	0.95	EBC-042S105DV(SV)-0007
860 mA	160~305 Vac	25~49 Vdc	42 W	88%	0.95	EBC-042S105DV(SV)-0004
1050 mA	160~305 Vac	25~40 Vdc	42 W	87%	0.95	EBC-042S105DV(SV)-0000

- Notes:** (1) Certified input voltage range: 200-240Vac.
 (2) Measured at full load and 220 Vac input.
 (3) SELV Output.

Input Specifications

Parameter	Min.	Typ.	Max.	Notes
Input Voltage	160 Vac	-	305 Vac	
Input Frequency	47 Hz	-	63 Hz	
Leakage Current	-	-	0.70 mA	IEC60598-1; 240Vac/ 60Hz
Input AC Current	-	-	0.29 A	Measured at full load and 220 Vac input.
Inrush Current(I ² t)	-	-	0.25 A ² s	At 220Vac input, 25°C cold start, duration=480 μs, 10%Ipk-10%Ipk. See Inrush Current Waveform for the details.
PF	0.90	-	-	At 220-240Vac, 65%-100%Load(27.3-42W)
THD	-	-	20%	

Output Specifications

Parameter	Min.	Typ.	Max.	Notes
Output Current Tolerance	-5%loset	-	5%loset	
Total Output Current Ripple (pk-pk)	-	-	150%lomax	At full load condition. 20 MHz BW
Output Current Ripple at < 200 Hz (pk-pk)	-	-	150%lomax	At full load condition. Only this component of ripple is associated with visible flicker.
Startup Overshoot Current	-	-	10%loset	At full load condition
No Load Output Voltage EBC-042S105DV(SV)-000x x=0,4,7	-	-	69 V	
Line Regulation	-	-	±0.5%	Measured at full load
Load Regulation	-	-	±1.5%	
Turn-on Delay Time	-	0.4 s	1.5 s	Measured at 220Vac input, 65%-100% Load.
Temperature Coefficient	-	-	0.03%/°C	Case temperature = 0°C ~Tc max
12V Auxiliary Output Voltage	10.8 V	12 V	13.2 V	
12V Auxiliary Output Source Current	0 mA	-	20 mA	Return terminal is "Dim"

Note: All specifications are tested by Cree XLamp XP-G and typical at 25°C unless otherwise stated.

General Specifications

Parameter	Min.	Typ.	Max.	Notes
Efficiency at 220 Vac input: EBC-042S105DV(SV)-000x x=7: 700 mA x=4: 860 mA x=0: 1050 mA	86.0% 86.0% 85.0%	88.0% 88.0% 87.0%	- - -	Measured at full load and steady-state temperature in 25°C ambient; (Efficiency will be about 2.0% lower if measured immediately after startup.)
MTBF	-	495,000 Hours	-	Measured at 220Vac input, 80%Load and 25°C ambient temperature (MIL-HDBK-217F)
Lifetime	-	72,000 Hours	-	Measured at 220Vac input, 80%Load and 70°C case temperature; See lifetime vs. Tc curve for the details
Operating Case Temperature for Safety Tc_s	-40°C	-	+90°C	
Operating Case Temperature for Warranty Tc_w	-40°C	-	+75°C	Humidity: 10%RH to 100%RH
Storage Temperature	-40°C	-	+85°C	Humidity: 5%RH to 100%RH
Dimensions Inches (L × W × H) Millimeters (L × W × H)	5.51 x 1.77 x 1.38 140 x 45 x 35			With mounting ear 6.34 x 1.77 x 1.38 161 x 45 x 35
Net Weight	-	430 g	-	

Note: All specifications are tested by Cree XLamp XP-G and typical at 25°C unless otherwise stated.

Dimming Specifications

Parameter	Min.	Typ.	Max.	Notes
Absolute Maximum Voltage on the Vdim (+) Pin	-20 V	-	20 V	
Source Current on Vdim (+) Pin	0 uA	200 uA	250 uA	
Dimming Output Range	10%Iomax	-	100%Iomax	
Recommended Dimming Input Range	0 V	-	10 V	

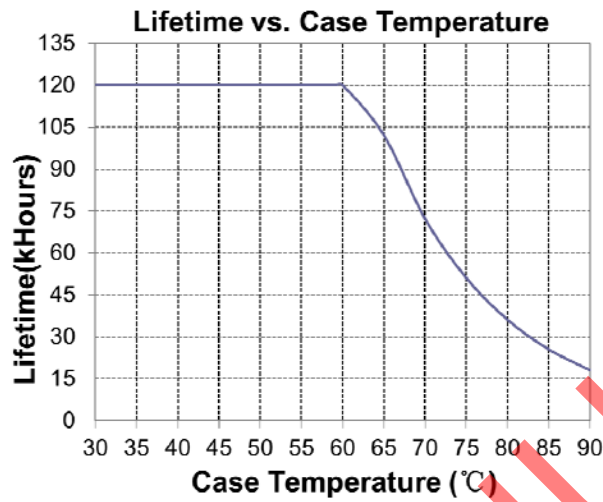
Safety & EMC Compliance

Safety Category	Standard
CE	EN 61347-1, EN61347-2-13
CCC	GB 19510.1, GB 19510.14
KS	KS C 7655
EMI Standards	Notes
EN 55015 ⁽¹⁾ /GB 17743	Conducted emission Test & Radiated emission Test
EN 61000-3-2/GB 17625.1	Harmonic current emissions
EN 61000-3-3	Voltage fluctuations & flicker
EMS Standards	Notes
EN 61000-4-2	Electrostatic Discharge (ESD): 8 kV air discharge, 4 kV contact discharge
EN 61000-4-3	Radio-Frequency Electromagnetic Field Susceptibility Test-RS
EN 61000-4-4	Electrical Fast Transient / Burst-EFT
EN 61000-4-5	Surge Immunity Test: AC Power Line: line to line 6 kV, line to earth 10 kV ⁽²⁾
EN 61000-4-6	Conducted Radio Frequency Disturbances Test-CS
EN 61000-4-8	Power Frequency Magnetic Field Test
EN 61000-4-11	Voltage Dips
EN 61547	Electromagnetic Immunity Requirements Applies To Lighting Equipment

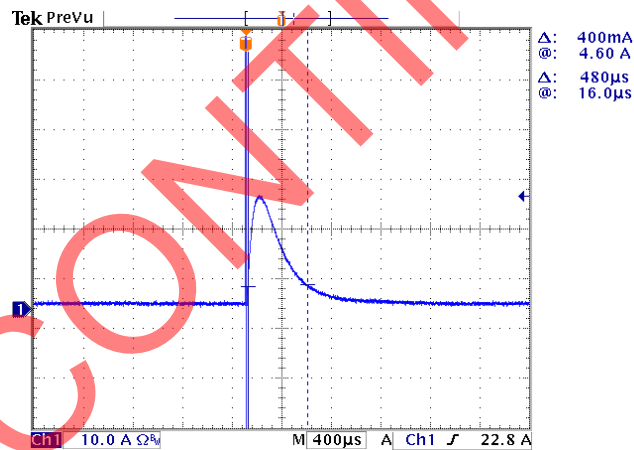
Notes: (1) This LED driver meets the EMI specifications above, but EMI performance of a luminaire that contains it depends also on the other devices connected to the driver and on the fixture itself.

- (2) To perform electric strength (hi-pot) testing, the "GDT ground disconnect" (screw and metal lock sheet) on the driver end-cap should be removed temporarily to prevent the internal gas discharge tube from conducting (as allowed by IEC 60598-1 Clause 10.2). After testing is completed, these items must be reinstalled to restore line-to-earth surge protection and secure the end cap.

Lifetime vs. Case Temperature

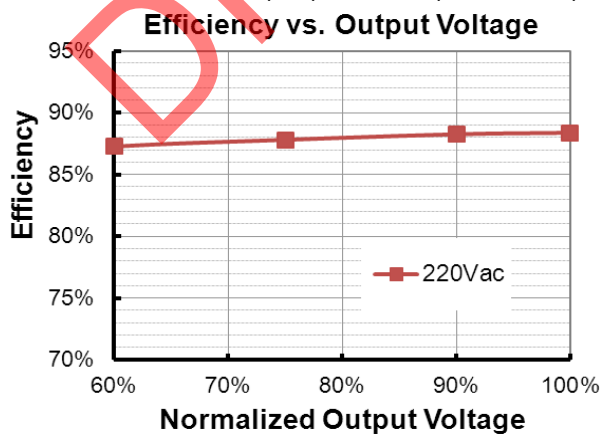


Inrush Current Waveform

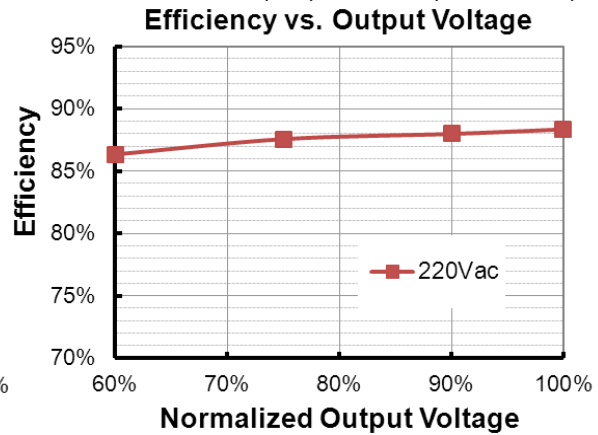


Efficiency vs. Load

EBC-042S105(DV)SV-0007(Io=700mA)

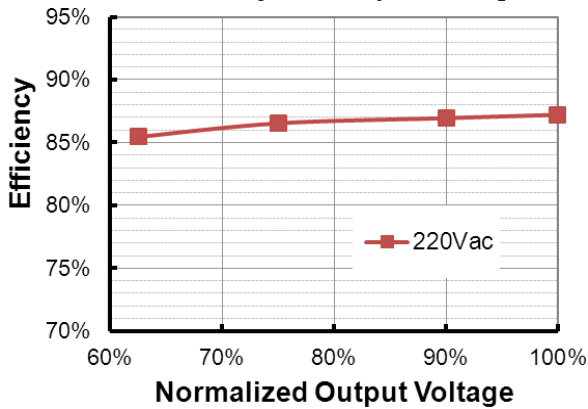


EBC-042S105(DV)SV-0004(Io=860mA)



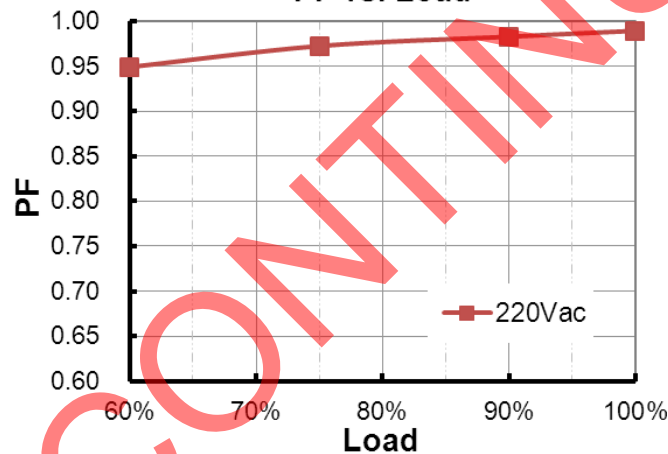
EBC-042S105(DV)SV-0000($I_o=1050mA$)

Efficiency vs. Output Voltage



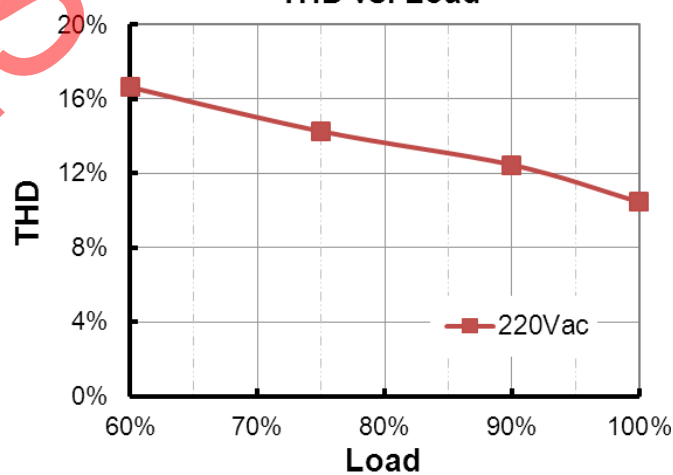
Power Factor

PF vs. Load



Total Harmonic Distortion

THD vs. Load



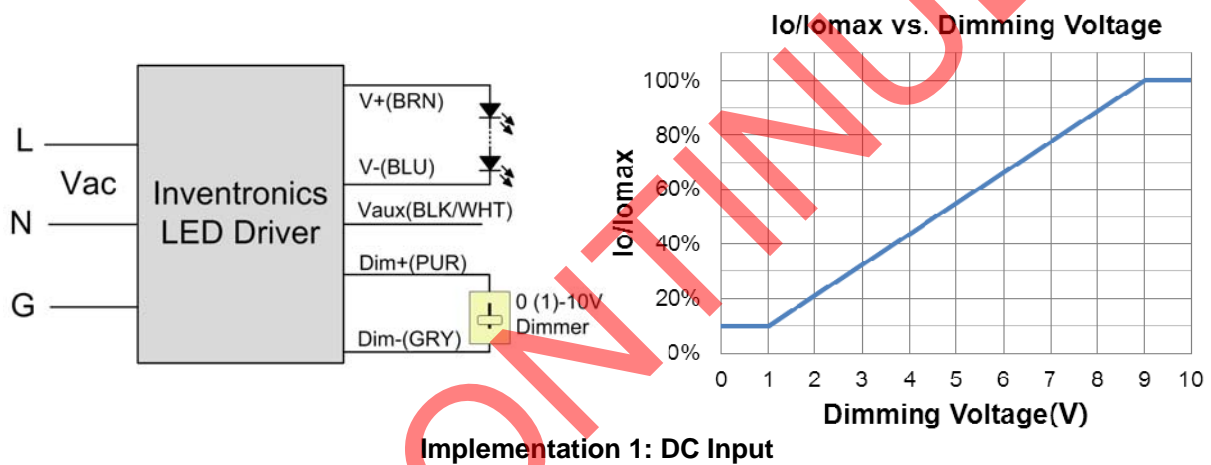
Protection Functions

Parameter	Notes
Over Temperature Protection	Decreases output current. Returning to normal after over temperature is removed.
Short Circuit Protection	Auto Recovery. No damage shall occur when any output operating in a short circuit condition. The power supply shall be self-recovery when the fault condition is removed.
Over Voltage Protection	Limits output voltage at no load and in case the normal voltage limit fails.

Dimming

● 0-10V Dimming

The recommended implementation of the dimming control is provided below.

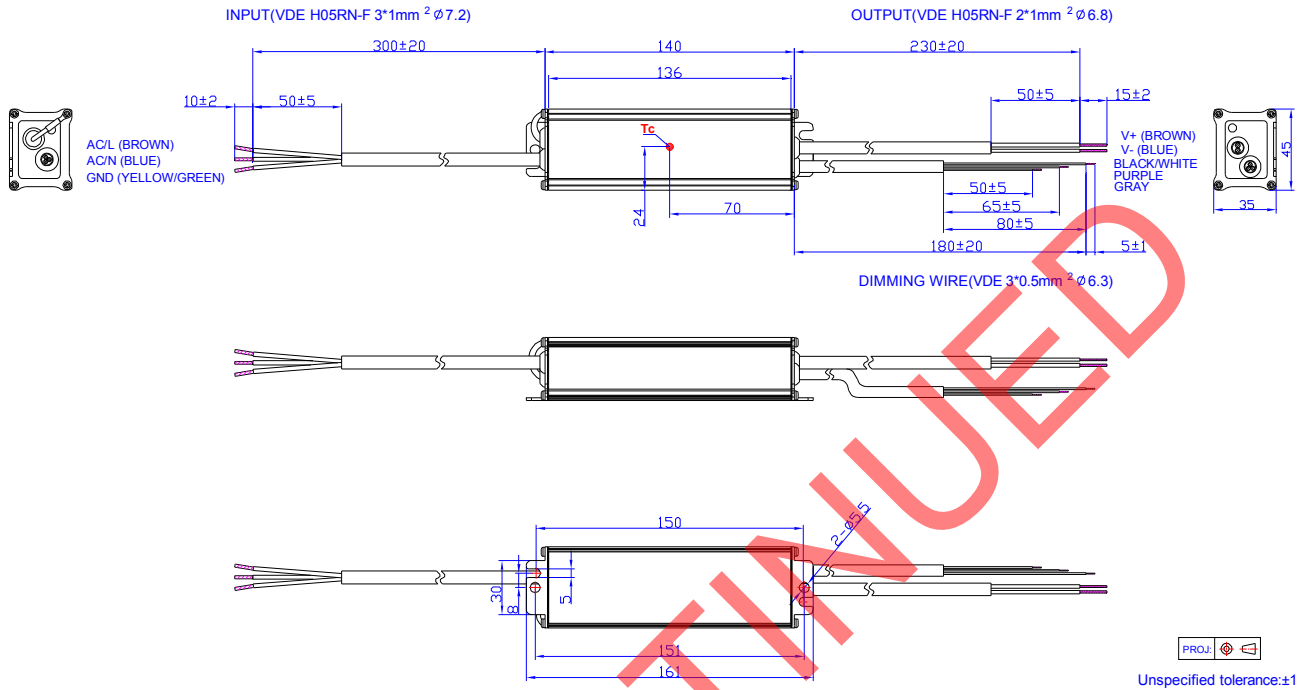


Notes:

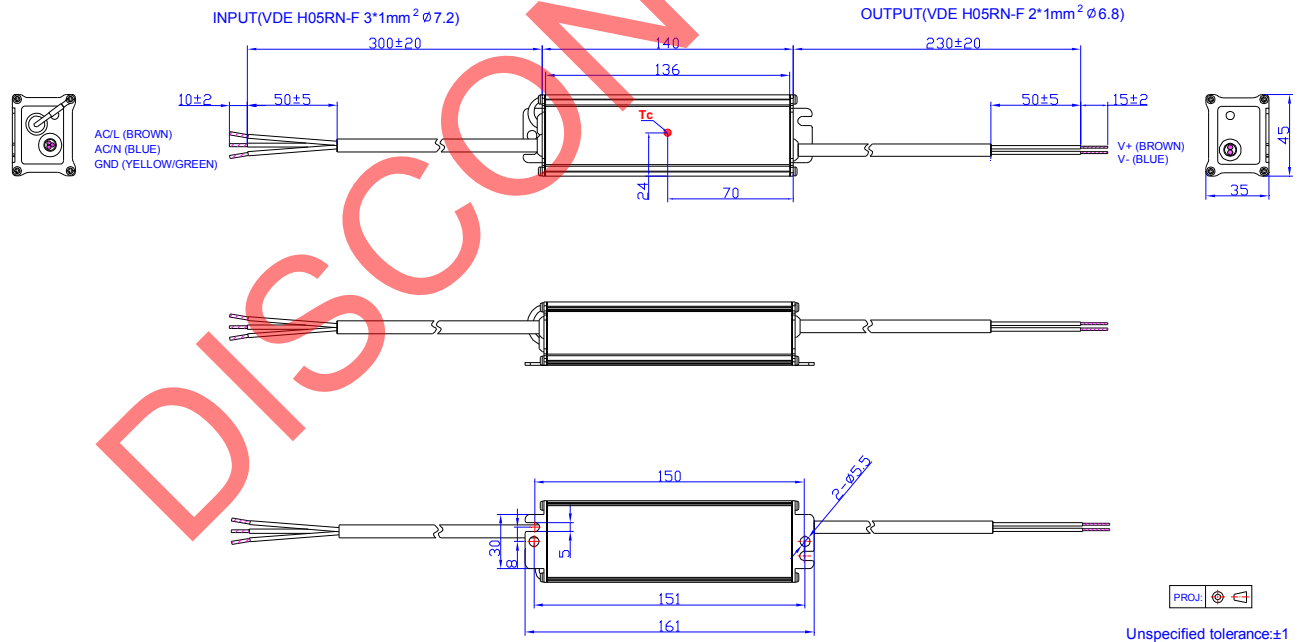
1. The dimmer can also be replaced by an active 0-10V voltage source signal or passive components like resistors and zener.
2. Do NOT connect Dim- to the output V- or V+, otherwise the driver will not work properly.
3. If 0-10V dimming is not used, Dim + should be open.

Mechanical Outline

EBC-042S105DV-000x



EBC-042S105SV-000x



RoHS Compliance

Our products comply with the European Directive 2011/65/EC, calling for the elimination of lead and other hazardous substances from electronic products.

Revision History

Change Date	Rev.	Description of Change		
		Item	From	To
2015-04-09	A	Datasheets Release	/	/
2015-12-14	B	Input Surge Protection	4kV Line-Line, 6kV Line-Earth	6kV Line-Line, 10kV Line-Earth
2016-04-18	C	Lifetime	120,000Hours at Tc=60°C	72,000 Hours at Tc=70°C
		Net Weight	400 g	430 g
		KS Certificate Regulation	/	Added
		Note of EMI Standard	/	Added
2017-03-07	D	Dimming - 0-10V Dimming - Implementation 2: External Resistor	/	Deleted
		Mechanical Outline	/	Updated

DISCONTINUED