

Features

- Ultra High Efficiency (Up to 93.0%)
- Full Power at Wide Output Current Range (Constant Power)
- Thermal Sensing and Protection for LED Module
- DALI/AC Dim/Timer Dimmable (3 Timer Modes)
- Dim-to-Off with Standby Power ≤ 0.5 W
- Always-on Auxiliary Power: 12Vdc, 200mA (Transient Peak Current up to 400mA)
- Output Lumen Compensation
- Long Lifetime Over 100k Hours at 75°C Case Temperature
- Input Surge Protection: DM 6 kV, CM 10 kV
- All-Around Protection: OVP, SCP, OTP
- IP20 Design and Suitable for Outdoor Applications in Luminaires with IP>54
- SELV Output
- Suitable for Luminaires with Protection Class I and II
- Complies with Zhaga Interface Specification Book 13
- 7 Years Warranty



Description

The EBS-080SxxxBTE series is an 80W, constant-current, programmable LED driver that operates from 176-305 Vac input with excellent power factor. Created for many lighting applications including street, tunnel and low bay, it provides a dim-to-off mode with low standby power. The high efficiency of these drivers and better thermal design enable them to run cooler, significantly improving reliability and extending product life. To ensure trouble-free operation, protection is provided against input surge, output over voltage, short circuit, and over temperature of both the driver and the external LED array.

Models

Adjustable Output Current Range	Full-Power Current Range(1)	Default Output Current	Input Voltage Range(2)	Output Voltage Range	Max. Output Power	Typical Efficiency (3)	Power Factor (3)	Model Number
45-700mA	450-700mA	530 mA	176~305Vac 190~250Vdc	57~178Vdc	80 W	93.0%	0.98	EBS-080S070BTE
70-1050mA	700-1050mA	700 mA	176~305Vac 190~250Vdc	38~114Vdc	80 W	92.5%	0.98	EBS-080S105BTE ⁽⁴⁾

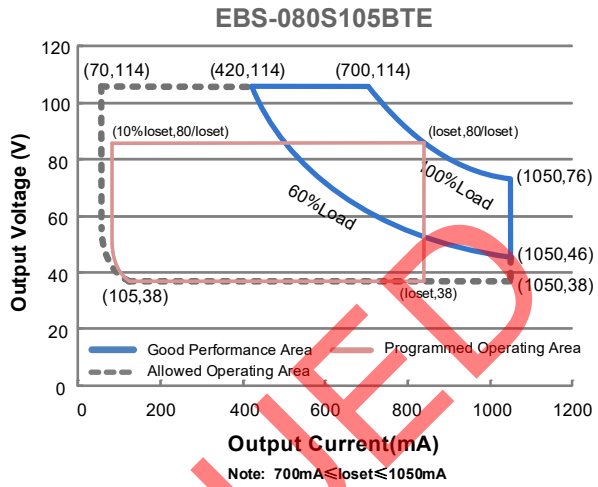
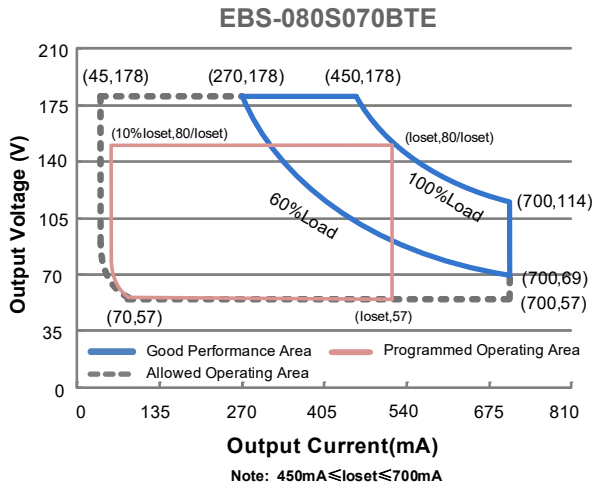
Notes: (1) Output current range with constant power at 80W

(2) Certified voltage range: 200-240Vac or 190-250Vdc (except KS)

(3) Measured at full load and 220Vac input (see below "General Specifications" for details).

(4) SELV Output.

I-V Operating Area



Input Specifications

Parameter	Min.	Typ.	Max.	Notes
Input AC Voltage	176 Vac	-	305 Vac	
Input DC Voltage	190 Vdc	-	250 Vdc	
Input Frequency	47 Hz	-	63 Hz	
Leakage Current	-	-	0.70 mA	IEC60598-1; 240Vac/ 60Hz
Input AC Current	-	-	0.45 A	Measured at full load and 220 Vac input.
Inrush Current(I ² t)	-	-	1.10 A ² s	At 220Vac input, 25°C cold start, duration=980 μs, 10%I _{pk} -10%I _{pk} . See Inrush Current Waveform for the details.
PF	0.90	-	-	At 200-240Vac, 50-60Hz, 60%-100% Load (48-80W)
THD	-	-	20%	
THD	-	-	10%	At 220-240Vac, 50-60Hz, 70%-100% Load (56-80W)

Output Specifications

Parameter	Min.	Typ.	Max.	Notes
Output Current Tolerance	-5%I _{loset}	-	5%I _{loset}	At full load condition
Output Current Setting(I _{loset}) Range				
EBS-080S070BTE	45 mA	-	700 mA	
EBS-080S105BTE	70 mA	-	1050 mA	
Output Current Setting Range with Constant Power				
EBS-080S070BTE	450 mA	-	700 mA	
EBS-080S105BTE	700 mA	-	1050 mA	
Total Output Current Ripple (pk-pk)	-	5%I _{omax}	10%I _{omax}	At full load condition, 20 MHz BW

Output Specifications (Continued)

Parameter	Min.	Typ.	Max.	Notes
Output Current Ripple at < 200 Hz (pk-pk)	-	2%I _{omax}	-	At full load condition. Only this component of ripple is associated with visible flicker.
Startup Overshoot Current	-	-	10%I _{omax}	At full load condition
No Load Output Voltage EBS-080S070BTE EBS-080S105BTE	- -	- -	210 V 119 V	
Line Regulation	-	-	±0.5%	Measured at full load
Load Regulation	-	-	±1.5%	
Turn-on Delay Time	-	-	0.5 s	Measured at 220Vac input, 60%-100% Load
Temperature Coefficient of I _o set	-	0.03%/°C	-	Case temperature = 0°C ~T _c max
12V Auxiliary Output Voltage	10.8 V	12 V	13.2 V	
12V Auxiliary Output Source Current	0 mA	-	200 mA	Return terminal is "Return"
12V Auxiliary Output Transient Peak Current	-	-	400 mA	400mA peak for a maximum duration of 300ms in a 2s period during which time the average should not exceed 200mA.

General Specifications

Parameter	Min.	Typ.	Max.	Notes
Efficiency at 220 Vac input: EBS-080S070BTE I _o = 450 mA I _o = 700 mA EBS-080S105BTE I _o = 700 mA I _o =1050 mA	91.0% 90.0%	93.0% 92.0%	- -	Measured at full load and steady-state temperature in 25°C ambient; (Efficiency will be about 2.0% lower if measured immediately after startup.)
Standby power	-	-	0.5 W	Measured at 230Vac/50Hz; Dimming off
MTBF	-	229,000 Hours	-	Measured at 220Vac input, 80% Load and 25°C ambient temperature (MIL-HDBK-217F)
Lifetime	-	120,000 Hours	-	Measured at 220Vac input, 80%Load and 75°C case temperature; See lifetime vs. T _c curve for the details
Operating Case Temperature for Safety T _{c_s}	-40°C	-	+90°C	
Operating Case Temperature for Warranty T _{c_w}	-40°C	-	+75°C	Case temperature for 7 years warranty. Please see Inventronics Warranty Statement for complete details. No condensation.
Storage Temperature	-40°C	-	+85°C	Humidity: 5%RH to 85%RH; No condensation.
Dimensions Inches (L × W × H) Millimeters (L × W × H)	4.93 × 3.35 × 1.42 125 × 85 × 36			
Net Weight	-	350 g	-	

Dimming Specifications

Parameter		Min.	Typ.	Max.	Notes
DALI	DA, DA High Level	9.5 V	16 V	22.5 V	
	DA, DA Low Level	-6.5 V	0 V	6.5 V	
	DA, DA Current	0 mA	-	2 mA	
AC Dim	Start Input Voltage	180 Vac	-	250 Vac	Default is 220 Vac
	Start Output Level	30%	-	100%	Default is 100%
	Stop Input Voltage	160 Vac	-	230 Vac	Default is 170 Vac
	Stop Output Level	30%	-	85%	Default is 30%
	Gap between Start and Stop Input Voltage	20 Vac	-	-	
	Increment of Start and Stop Input Voltage	-	1 Vac	-	
	Increment of Start and Stop Output Level	-	1%	-	
Dimming Output Range	EBS-080S070BTE EBS-080S105BTE	10%loset	-	loset	450 mA ≤ loset ≤ 700 mA 700 mA ≤ loset ≤ 1050 mA
	EBS-080S070BTE EBS-080S105BTE	45 mA 70 mA	-	loset	45 mA ≤ loset < 450 mA 70 mA ≤ loset < 700 mA

Safety & EMC Compliance

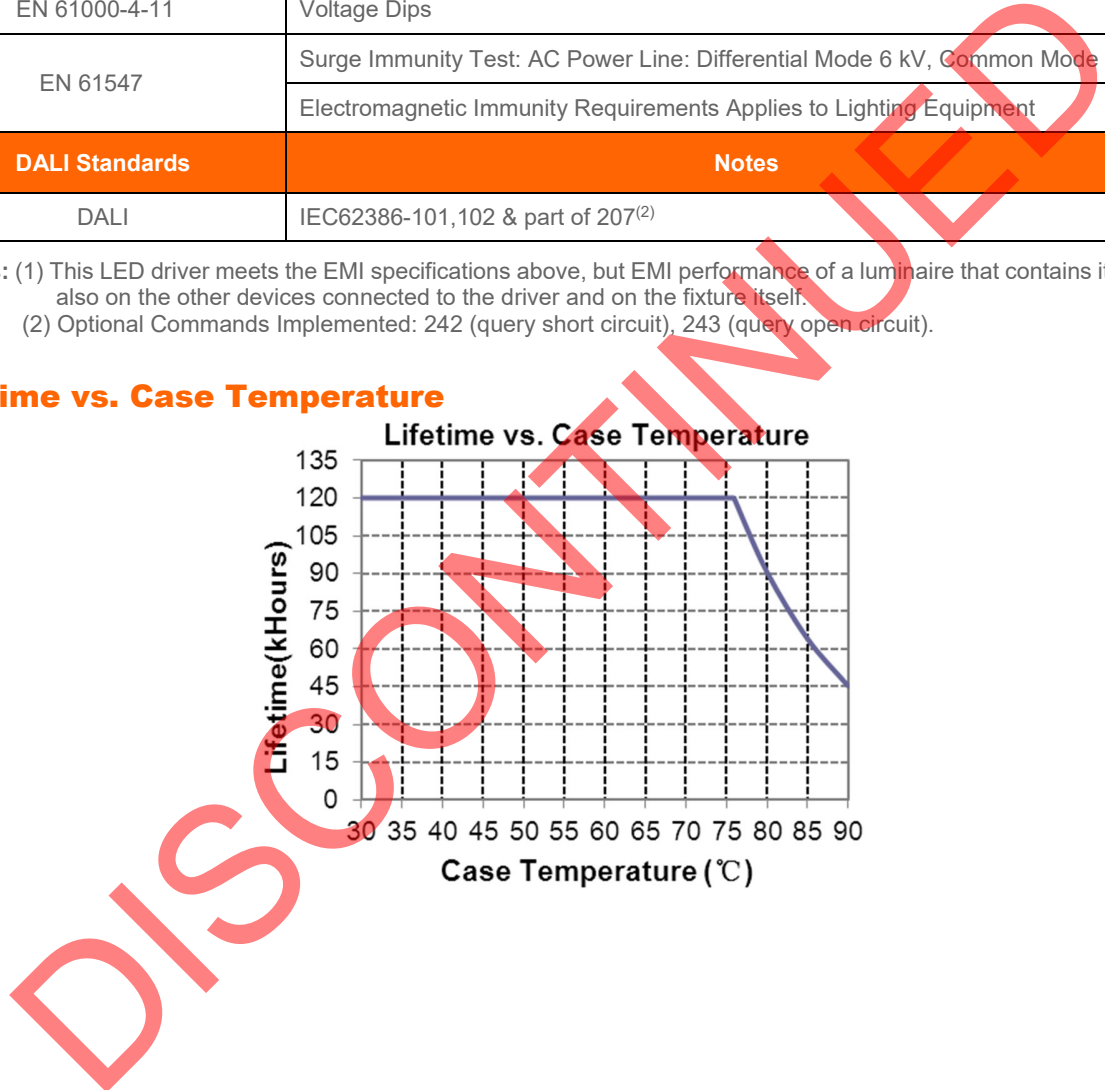
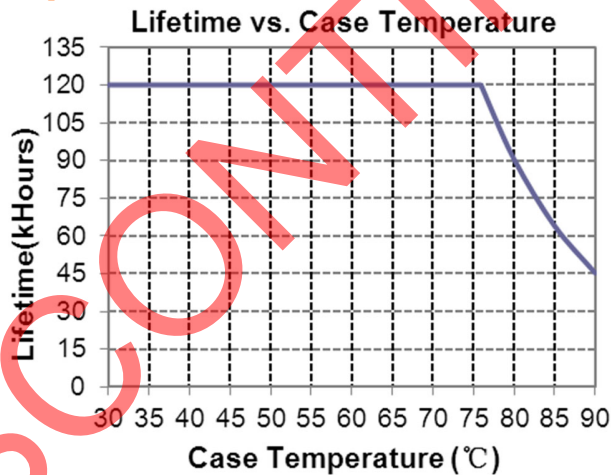
Safety Category	Standard
ENEC & CE	EN 61347-1, EN61347-2-13
CB	IEC 61347-1, IEC 61347-2-13
KS	KS C 7655
Performance	Standard
ENEC	EN IEC 62384
EMI Standards	Notes
EN IEC 55015 ⁽¹⁾	Conducted emission Test & Radiated emission Test
EN IEC 61000-3-2	Harmonic current emissions
EN 61000-3-3	Voltage fluctuations & flicker
EMS Standards	Notes
EN 61000-4-2	Electrostatic Discharge (ESD): 8 kV air discharge, 4 kV contact discharge
EN 61000-4-3	Radio-Frequency Electromagnetic Field Susceptibility Test-RS
EN 61000-4-4	Electrical Fast Transient / Burst-EFT

Safety & EMC Compliance (Continued)

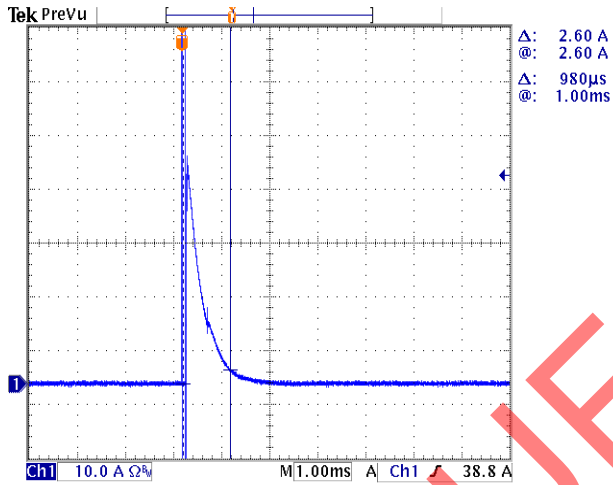
EMS Standards	Notes
EN 61000-4-5	Surge Immunity Test: AC Power Line: Differential Mode 6 kV, Common Mode 8 kV
EN 61000-4-6	Conducted Radio Frequency Disturbances Test-CS
EN 61000-4-8	Power Frequency Magnetic Field Test
EN 61000-4-11	Voltage Dips
EN 61547	Surge Immunity Test: AC Power Line: Differential Mode 6 kV, Common Mode 10 kV
	Electromagnetic Immunity Requirements Applies to Lighting Equipment
DALI Standards	Notes
DALI	IEC62386-101,102 & part of 207 ⁽²⁾

Notes: (1) This LED driver meets the EMI specifications above, but EMI performance of a luminaire that contains it depends also on the other devices connected to the driver and on the fixture itself.
 (2) Optional Commands Implemented: 242 (query short circuit), 243 (query open circuit).

Lifetime vs. Case Temperature

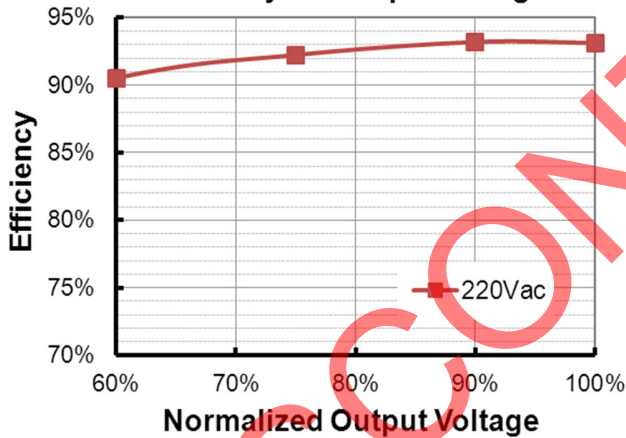


Inrush Current Waveform

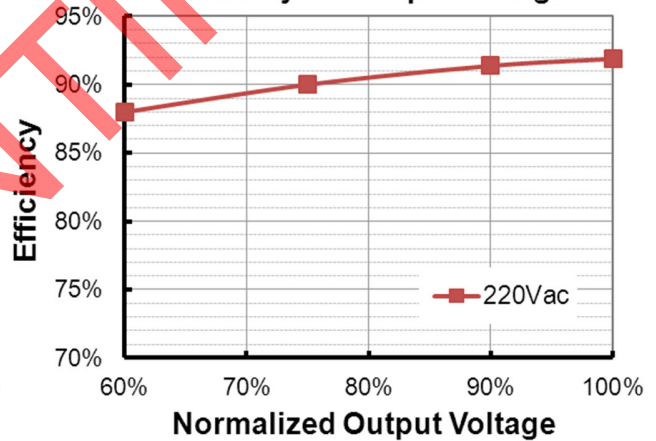


Efficiency vs. Load

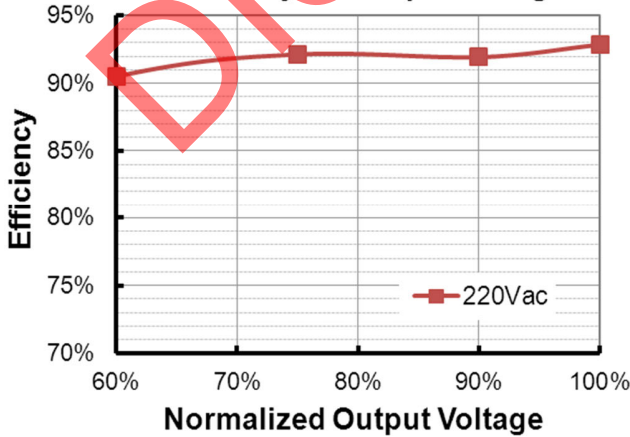
EBS-080S070BTE (Io=450mA)
Efficiency vs. Output Voltage



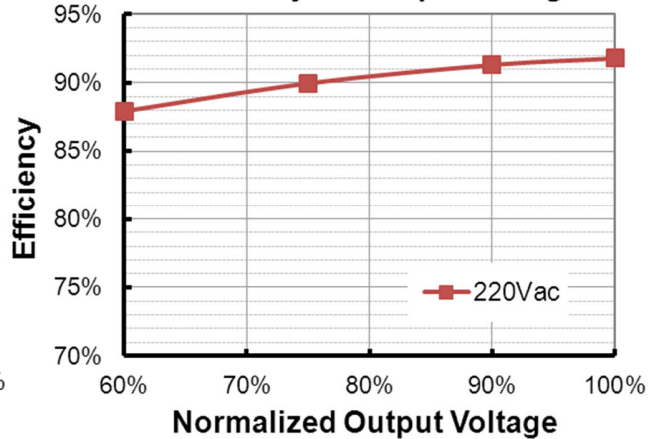
EBS-080S070BTE (Io=700mA)
Efficiency vs. Output Voltage



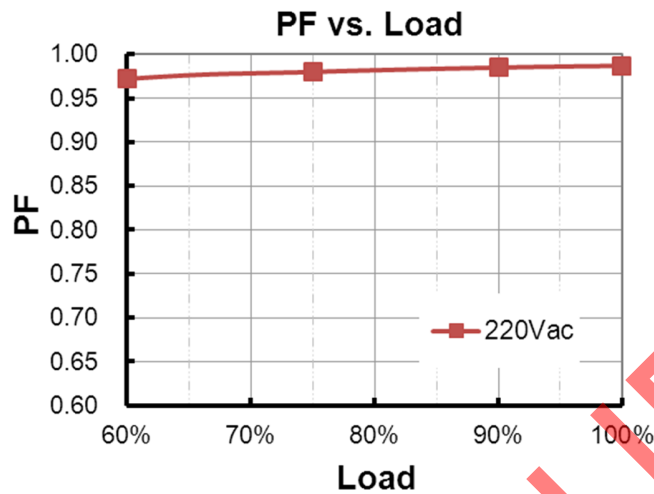
EBS-080S105BTE (Io=700mA)
Efficiency vs. Output Voltage



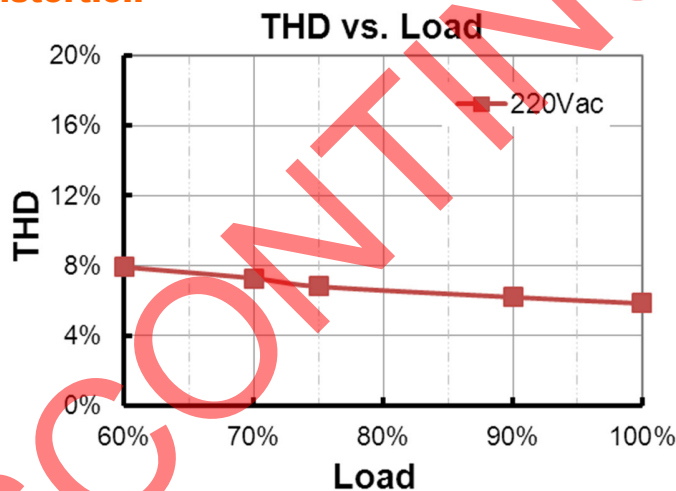
EBS-080S105BTE (Io=1050mA)
Efficiency vs. Output Voltage



Power Factor



Total Harmonic Distortion



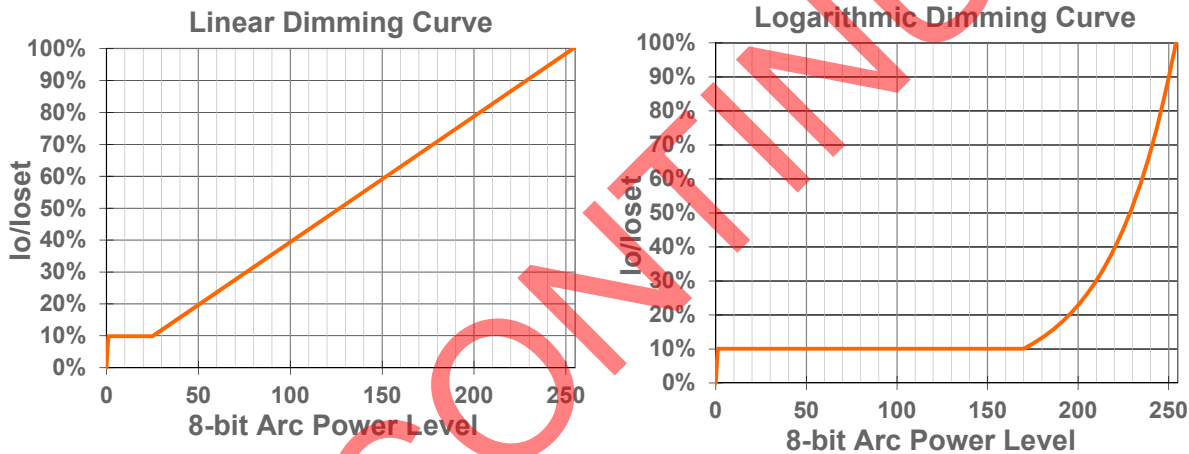
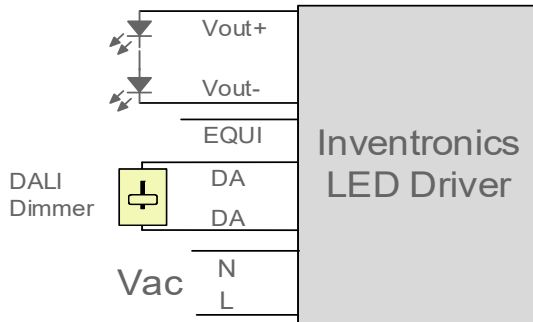
Protection Functions

Parameter:		Min.	Typ.	Max.	Notes
External Thermal Protection NTC	R1	-	7.81 kOhm	-	When R_NTC falls below R1, External Thermal Protection is triggered, reducing output current until R2 is reached.
	R2	-	4.16 kOhm	-	When R_NTC is less than R2, output current is reduced to the programmed "Protection Current Floor."
	Protection Current Floor	10%loset	60%loset	100%loset	10%loset > lomin (default setting is 60%)
		lomin	60%loset	100%loset	10%loset ≤ lomin (default setting is 60%)
Over Temperature Protection		Decreases output current, returning to normal after over temperature is removed.			
Short Circuit Protection		Auto Recovery. No damage will occur when any output is short circuited. The output shall return to normal when the fault condition is removed.			
Over Voltage Protection		Limits output voltage at no load and in case the normal voltage limit fails.			

Dimming

● DALI Dimming

The recommended implementation of the dimming control is provided below.



Implementation: DALI Dimming

● Time Dimming

Time dimming control includes 3 kinds of modes, they are Self Adapting-Midnight, Self Adapting-Percentage and Traditional Timer.

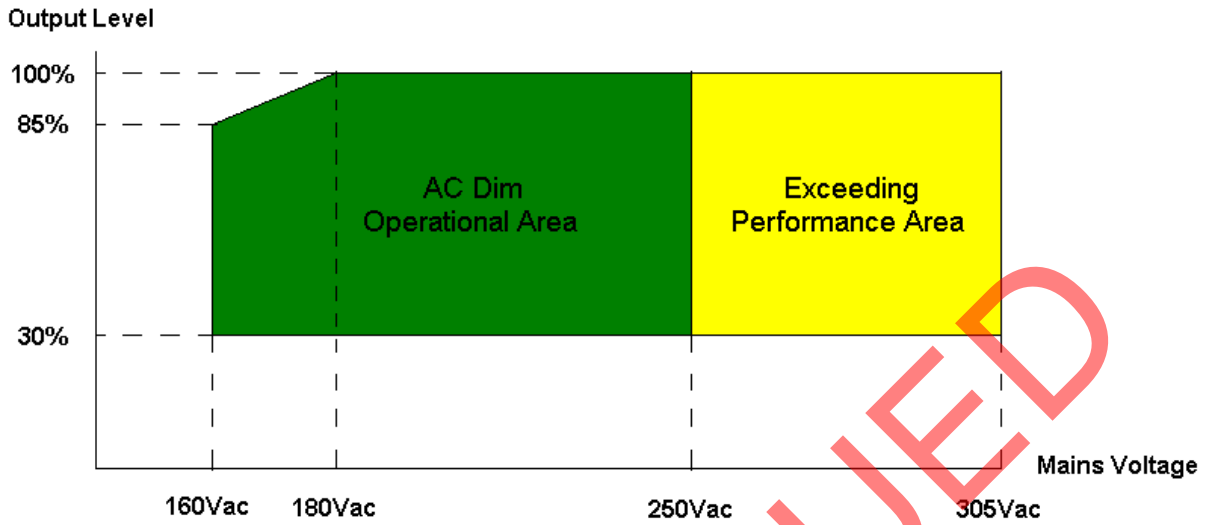
- **Self Adapting-Midnight:** Automatically adjusts the dimming curve based on the on-time of past two days (if difference <15 minutes), assuming that the center point of the dimming curve is midnight local time.
- **Self Adapting-Percentage:** Automatically adjusts the on-time of each step by a constant percentage = (actual on-time for the past 2 days if difference <15 min) / (programmed on-time from the dimming curve).
- **Traditional Timer:** Follows the programmed timing curve after power on with no changes.

● AC Dimming

The default range of AC Dim is 160-250Vac. The range can be adjusted via the programming interface. Also, the Start Input Voltage, Start Output Level, Stop Input Voltage and Stop Output Level can be set.

There needs to be a minimum of 20V difference between Start and Stop Input Voltage settings when programming the driver.

There must be a minimum voltage difference of 5V from the Start Input Voltage before the driver starts dimming.



Notes:

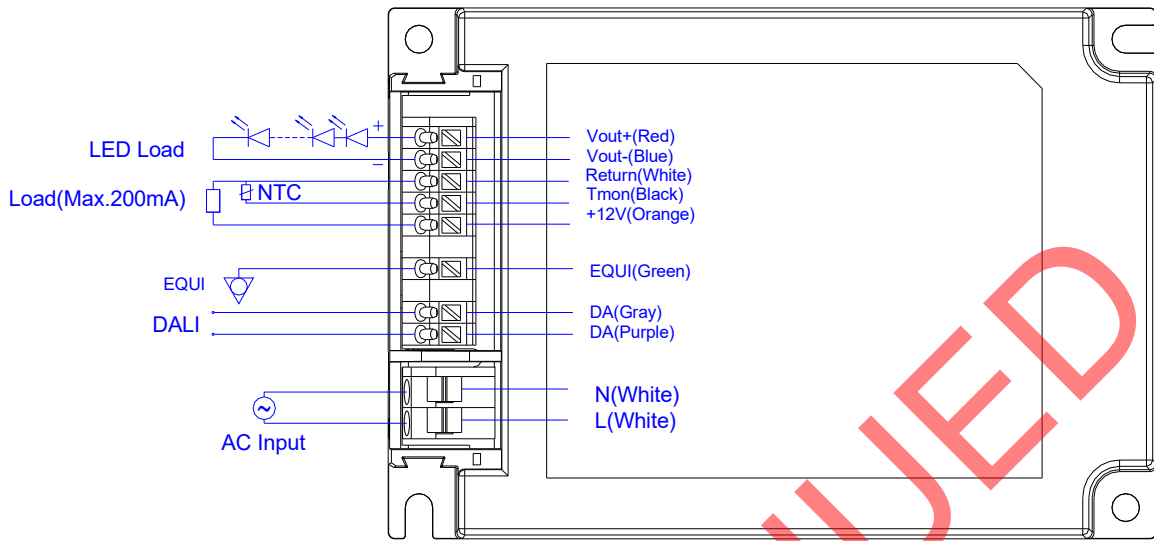
1. In the green area, the driver will operate normally.
2. In the yellow area, the driver will operate safely but not fulfill requirements.

● **Output Lumen Compensation**

Output Lumen Compensation (OLC) may be used to maintain constant light output over the life of the LEDs by driving them at a reduced current when new, then gradually increasing the drive current over time to counteract LED lumen degradation.

Wire Connection Diagram

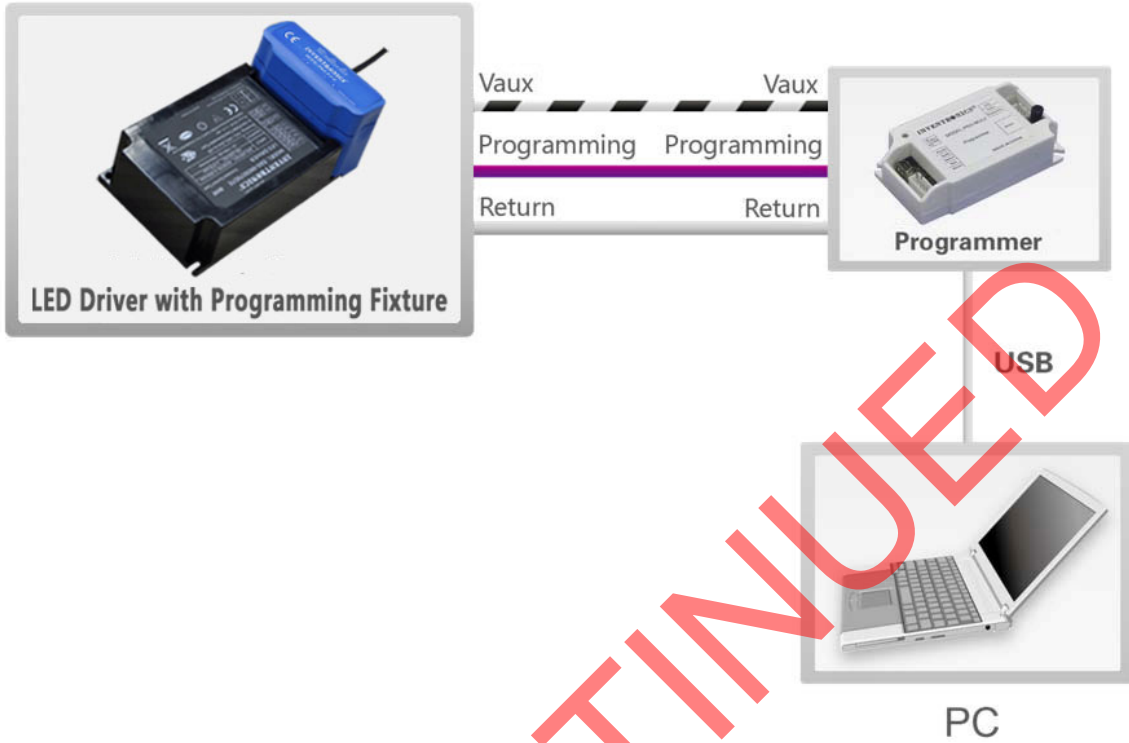
Parameter		Min.	Typ.	Max.	Notes
L, N	Wire Cross-section	0.4 mm ²	-	2.5 mm ²	Push-in at 0° angle, solid and stranded wire
		20 AWG	-	12 AWG	
	Strip Length	10 mm	-	11 mm	
EQUI	Wire Cross-section	0.4 mm ²	-	1.5 mm ²	Push-in at 45° angle, solid and stranded wire
		20 AWG	-	16 AWG	
	Strip Length	8.5 mm	-	9.5 mm	
Vout+, Vout-, Return, Tmon, +12V, DA, DA	Wire Cross-section	0.2 mm ²	-	1.5 mm ²	Push-in at 45° angle, solid and stranded wire
		22 AWG	-	16 AWG	
	Strip Length	8.5 mm	-	9.5 mm	



Programming Connection Diagram



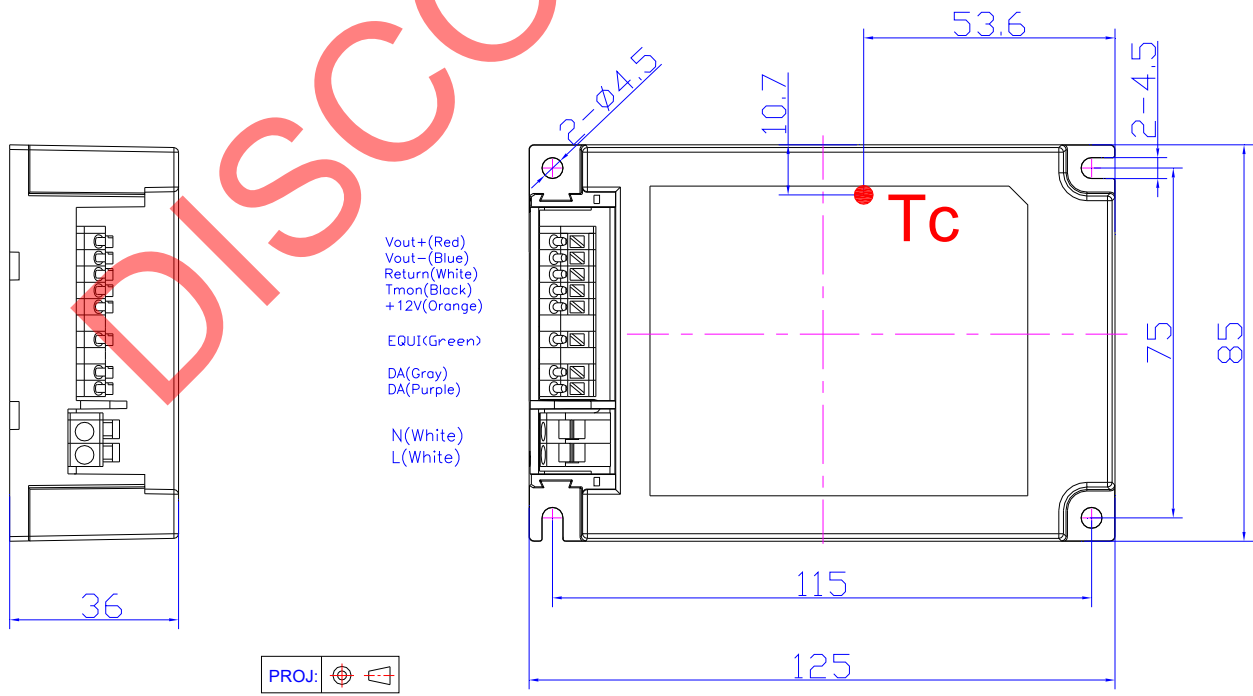
DISCONTINUED



Note: The driver does not need to be powered on during the programming process.

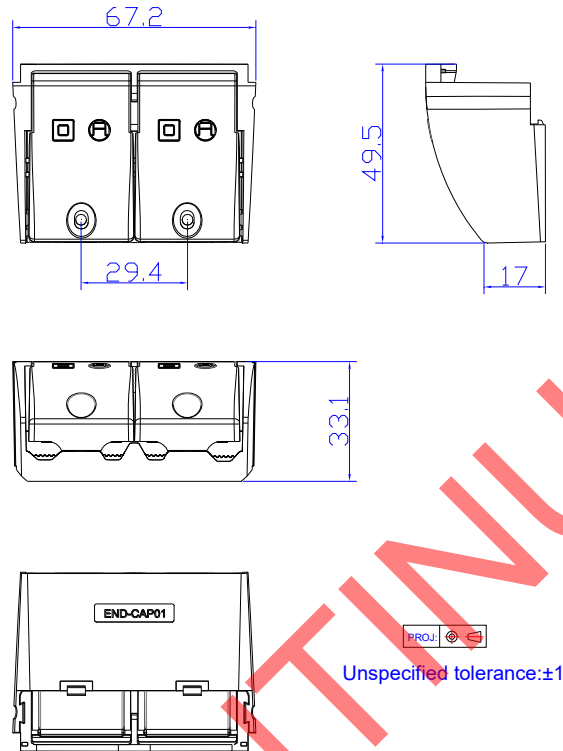
- Please refer to [PRG-MUL2 \(Programmer\)](#) and [PRG-FIX-E \(Programming Fixture\)](#) datasheet for details.

Mechanical Outline



Unspecified tolerance: ±1

Optional Cable Clamp END-CAP01



Note: The cable clamp is to be installed with EBS-080SxxxBTE drivers for independent application. Please refer to [END-CAP01](#) datasheet for details.

RoHS Compliance

Our products comply with reference to RoHS Directive (EU) 2015/863 amending 2011/65/EU, calling for the elimination of lead and other hazardous substances from electronic products.

Revision History

Change Date	Rev.	Description of Change		
		Item	From	To
2016-12-02	A	Datasheets Release	/	/
2017-10-24	B	Features	7 Years Warranty	Added
		Features	Always-on Auxiliary Power	Added
		Input Specifications	PF/THD	Updated
		Output Specifications	Temperature Coefficient of I _{oSet}	Updated
		Output Specifications	12V Auxiliary Output Transient Peak Current	Added
		General Specifications	Operating Case Temperature for Warranty T _{c_w}	Updated
2018-01-26	C	Description	/	Updated
		Operating Case Temperature for Warranty T _{c_w}	Notes	Updated
		Wire Connection Diagram	/	Updated
2018-11-14	D	CCC Logo	/	Updated
		Safety & EMC Compliance	/	Updated
		Programming Connection Diagram	/	Updated
2024-08-26	E	Format	/	Updated
		TUV/CCC Logo	/	Deleted
		Models	Note (2)	Updated
		Safety & EMC Compliance	/	Updated
		RoHS Compliance	/	Updated

DISCONTINUED