

## Features

- Flexible Cable Clamp for Simple and Quick Cable Mounting
- Easy to Install with LED Driver
- Only Suitable for Inventronics EBS Series Drivers



## Description

The END-CAP01 is a cable clamp installed with Inventronics EBS series drivers for independent application.

## Model

Name	Description	Part Number
Cable Clamp	Driver Accessory Kit	END-CAP01

## Compatible List

Part Number	Driver Part Number	Notes
END-CAP01	EBS-040xxxDTE	
	EBS-040xxxBTE	
	EBS-080xxxDTE	
	EBS-080xxxBTE	
	EBS-160xxxDTE	
	EBS-160xxxBTE	

## Environmental Specifications

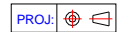
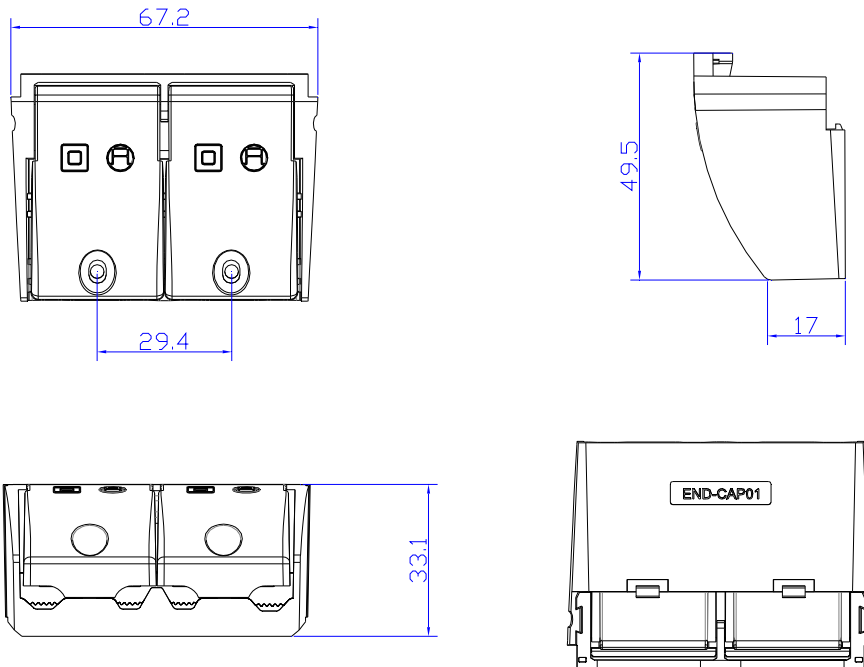
Parameter	Min.	Typ.	Max.	Notes
Operating Temperature	-40°C	-	+70°C	Humidity: 5%RH to 85%RH. No condensation.
Storage Temperature	-40°C	-	+85°C	Humidity: 5%RH to 85%RH. No condensation.

## General Specifications

Parameter	Min.	Typ.	Max.	Notes
Dimensions Inches (L x W x H) Millimeters (L x W x H)	2.64 x 1.95 x 1.30 67.2 x 49.5 x 33.1			
Net Weight	-	30 g	-	

**Note:** All specifications are typical at 25 °C unless otherwise stated.

## Mechanical Outline



Unspecified tolerance:±1

## RoHS Compliance

Our products comply with the European Directive 2011/65/EC, calling for the elimination of lead and other hazardous substances from electronic products.

## Revision History

Change Date	Rev.	Description of Change		
		Item	From	To
2016-09-13	A	Datasheet Release	/	/