

Features

- Ultra High Efficiency (Up to 92.5%)
- Five Channels Output
- Active Power Factor Correction (0.99 Typical)
- Constant Current Output
- Lightning Protection
- All-Around Protection: SCP, OTP, OVP
- Waterproof (IP67) and UL Dry / Damp / Wet Location
- 5 years warranty



Description

The EUC-200PxxxDT(ST) series is a 200W, five-channel, constant-current LED driver that operates from 90-305 Vac input with excellent power factor. It is created for many lighting applications including flood, tunnel and street. The high efficiency of these drivers and compact metal case enables them to run cooler, significantly improving reliability and extending product life. To ensure trouble-free operation, protection is provided against input surge, output over voltage, short circuit, and over temperature.

Models

Output Current (1)	Input Voltage Range	Output Voltage Range	Max. Output Power	Typical Efficiency (2)	Power Factor		Model Number
					120Vac	220Vac	
350 mA	90 ~ 305 Vac	57~114Vdc	200 W	92.5%	0.99	0.94	EUC-200P035DT(ST)
450 mA	90 ~ 305 Vac	45~90 Vdc	200 W	92.0%	0.99	0.94	EUC-200P045DT(ST)
600 mA	90 ~ 305 Vac	40~70 Vdc	210 W	92.0%	0.99	0.94	EUC-200P060DT(ST)
700 mA	90 ~ 305 Vac	29~57 Vdc	200 W	92.0%	0.99	0.94	EUC-200P070DT(ST)
1050 mA	90 ~ 305 Vac	19~38 Vdc	200 W	90.0%	0.99	0.94	EUC-200P105DT(ST) ⁽³⁾
1400 mA	90 ~ 305 Vac	14~29 Vdc	203 W	90.0%	0.99	0.94	EUC-200P140DT(ST) ⁽⁴⁾

Notes: (1) The output current is adjustable at factory from 50% to 100%.

(2) Measured at 100% load and 220 Vac input.

(3) Class 2 output (USR & CNR)

(4) Class 2 output (USR & CNR) for wet location.

Input Specifications

Parameter	Min.	Typ.	Max.	Notes
Input Voltage	90 V	-	305 V	
Input Frequency	47 Hz	-	63 Hz	
Leakage Current	-	-	1 mA	At 277Vac 60Hz input
Input AC Current	-	-	2.5 A	Measured at 100% load and 100 Vac input.
	-	-	1.1 A	Measured at 100% load and 220 Vac input.

Input Specifications (Continued)

Parameter	Min.	Typ.	Max.	Notes
Inrush current	-	-	65 A	At 220Vac input, 25°C cold start, duration=1.1 ms, 10%Ipk-10%Ipk.
Inrush Current(I ² t)	-	-	2.3 A ² s	
PF	0.90	-	-	At 100Vac-277Vac, 50-60Hz, 75%-100%load
THD	-	-	20%	

Output Specifications

Parameter	Min.	Typ.	Max.	Notes
Output channel	-	5	-	
Output Current Tolerance	-5%	-	5%	
No-load Output Voltage Io= 350 mA Io= 450 mA Io= 600 mA Io= 700 mA Io=1050 mA Io=1400 mA	- - - - - -	- - - - - -	123V 97V 77V 64V 51V 50.5V	Hiccup mode.
Output Current Ripple (pk-pk)	-	10% Io	15% Io	
Output Overshoot / Undershoot	-	-	10%	When power on or off.
Line Regulation	-	-	±1%	
Load Regulation	-	-	±3%	
Turn-on Delay Time	-	1.0 s	2.0 s	Measured at 120Vac input, 75%-100%load
	-	0.5 s	1.5 s	Measured at 220Vac input, 75%-100%load
Temperature coefficient	-	0.03%/°C	-	Case temperature = 0°C ~Tc max

Note: All specifications are typical at 25 °C unless stated otherwise.

Protection Functions

Parameter	Min.	Typ.	Max.	Notes
Over Temperature Protection	-	110 °C	-	When OTP occurs, the output current decreases down to the half of the normal output current. The output shall be auto recovery when the case temperature becomes normal.
Short Circuit Protection	Single, dual or triple channel short does not affect the normal work of other channels. The driver recovers after short is removed and AC input recycled. Four or five channel short latches the driver and it recovers after the short is removed.			

General Specifications

Parameter	Min.	Typ.	Max.	Notes
Efficiency Io= 350 mA Io= 450 mA Io= 600 mA Io= 700 mA Io=1050 mA Io= 1400 mA	88.0% 87.5% 87.5% 87.5% 85.5% 85.5%	89.0% 88.5% 88.5% 88.5% 86.5% 86.5%	- - - - - -	Measured at 100% load, 120Vac input, 25°C ambient temperature, after the unit is thermally stabilized. It will be about 1% lower, if measured immediately after startup.
Efficiency Io= 350 mA Io= 450 mA Io= 600 mA Io= 700 mA Io=1050 mA Io=1400 mA	91.5% 91.0% 91.0% 91.0% 89.0% 89.0%	92.5% 92.0% 92.0% 92.0% 90.0% 90.0%	- - - - - -	Measured at 100% load, 220Vac input, 25°C ambient temperature, after the unit is thermally stabilized. It will be about 1% lower, if measured immediately after startup.
MTBF	-	224,000 Hours	-	Measured at 220Vac input, 80%Load and 25°C ambient temperature (MIL-HDBK-217F)
Lifetime	-	83,500 Hours	-	Measured at 220Vac input, 80%Load; Case temperature=60°C @ Tc point. See lifetime vs. Tc curve for the details
Operating Case Temperature for Safety Tc_s	-40°C		+90°C	
Operating Case Temperature for Warranty Tc_w	-40°C		+65°C	Case temperature for 5 years warranty
Storage Temperature	-40°C	-	+85°C	Humidity: 5% RH to 100% RH
Dimensions Inches (L x W x H) Millimeters (L x W x H)	8.41 x 3.20 x 1.50 213.5 x 82 x 38			With mounting ear 9.47 x 3.20 x 1.50 240.5 x 82 x 38
Net Weight	-	1450 g	-	

Note: All specifications are typical at 25 °C unless otherwise stated.

Safety & EMC Compliance

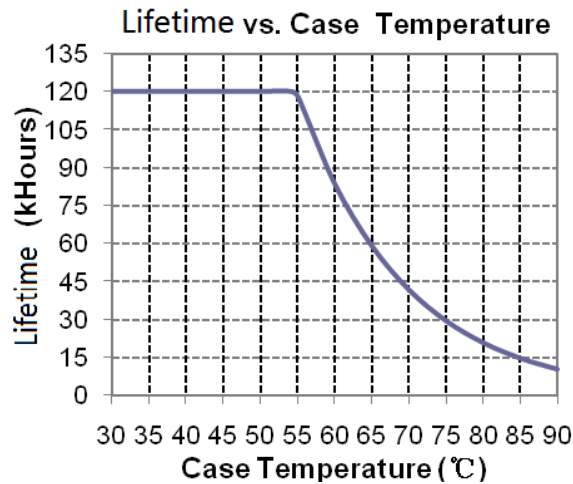
Safety Category	Standard
UL/CUL	UL8750, UL1012, UL1310 Class 2, CSA-C22.2 No. 107.1, CSA C22.2 NO. 223-M91 Class 2
CE	EN 61347-1, EN61347-2-13
KS	KS C 7655
EAC	IEC 61347-1, IEC 61347-2-13
EMI Standards	Notes
EN 55015 ⁽¹⁾	Conducted emission Test & Radiated emission Test
EN 61000-3-2	Harmonic current emissions
EN 61000-3-3	Voltage fluctuations & flicker

Safety & EMC Compliance (Continued)

EMI Standards	Notes
FCC Part 15 ⁽¹⁾	ANSI C63.4 Class B
	This device complies with Part 15 of the FCC Rules. Operation is subject to the following two conditions: [1] this device may not cause harmful interference, and [2] this device must accept any interference received, including interference that may cause undesired Operation.
EMS Standards	Notes
EN 61000-4-2	Electrostatic Discharge (ESD): 15 kV air discharge, 8 kV contact discharge
EN 61000-4-3	Radio-Frequency Electromagnetic Field Susceptibility Test-RS
EN 61000-4-4	Electrical Fast Transient / Burst-EFT
EN 61000-4-5	Surge Immunity Test: AC Power Line: line to line 4 kV, line to earth 6 kV
EN 61000-4-6	Conducted Radio Frequency Disturbances Test-CS
EN 61000-4-8	Power Frequency Magnetic Field Test
EN 61000-4-11	Voltage Dips
EN 61547	Electromagnetic Immunity Requirements Applies To Lighting Equipment

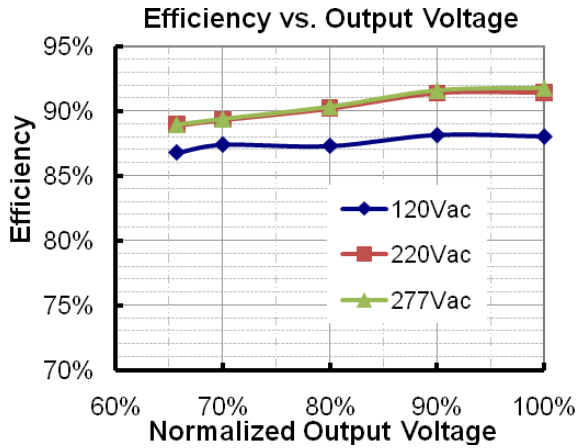
Note: (1) This LED driver meets the EMI specifications above, but EMI performance of a luminaire that contains it depends also on the other devices connected to the driver and on the fixture itself.

Lifetime vs. Case Temperature Curve

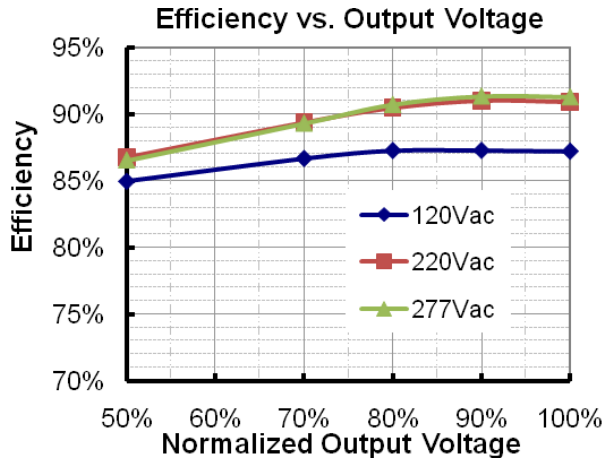


Efficiency vs. Load

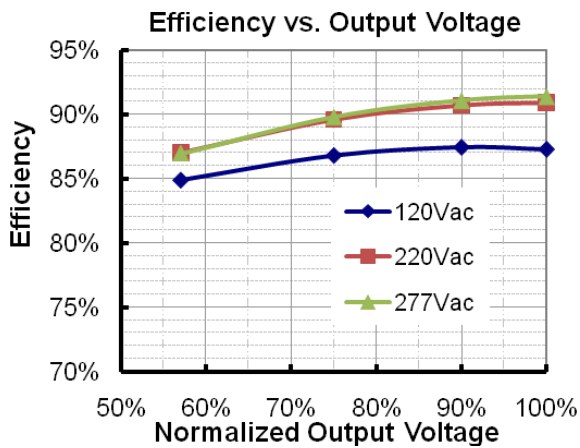
EUC-200P035DT(ST)



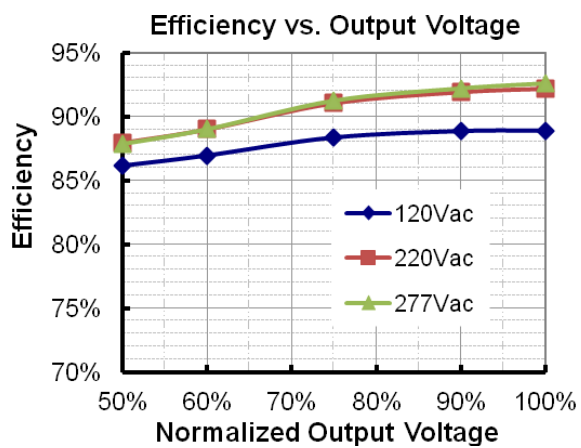
EUC-200P045DT(ST)



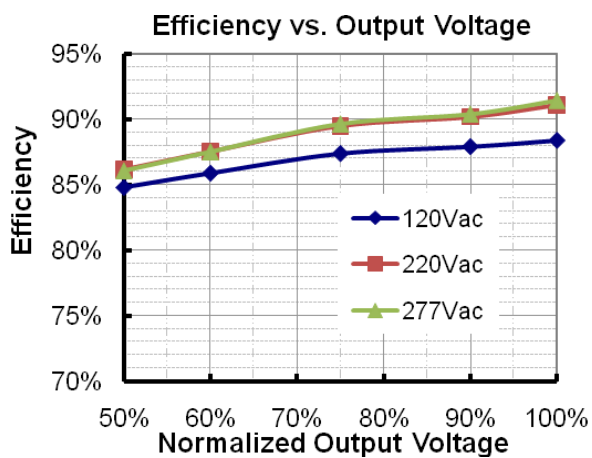
EUC-200P060DT(ST)



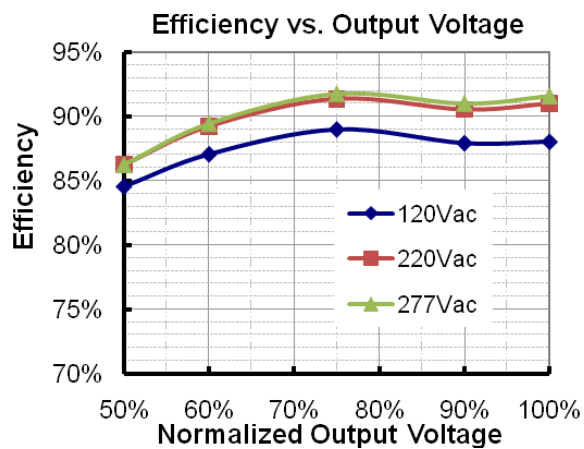
EUC-200P070DT(ST)



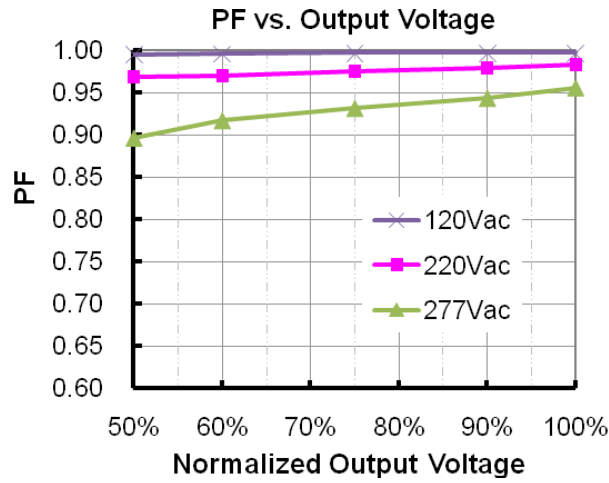
EUC-200P105DT(ST)



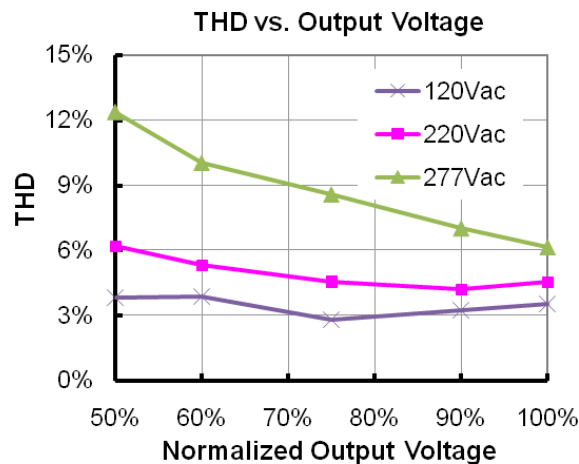
EUC-200P140DT(ST)



Power Factor Characteristics



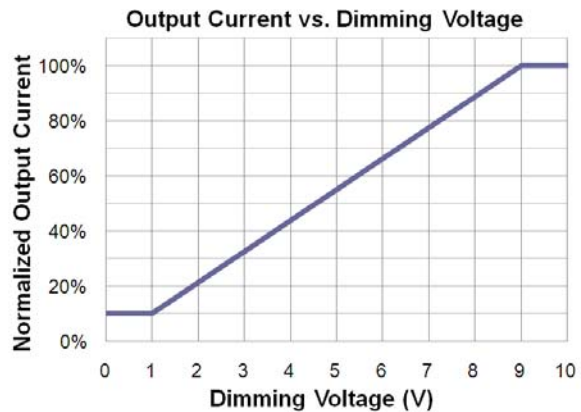
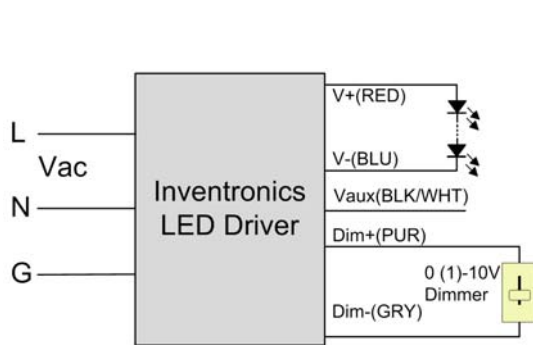
Total Harmonic Distortion



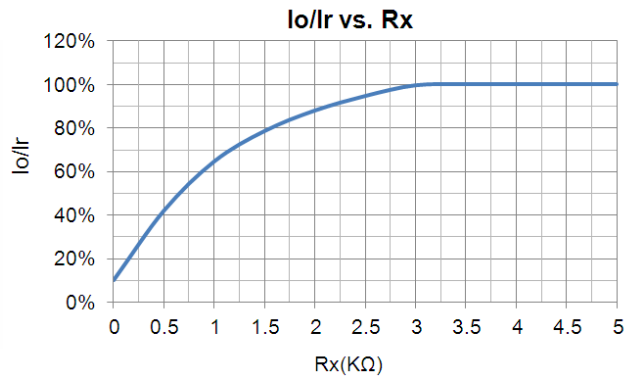
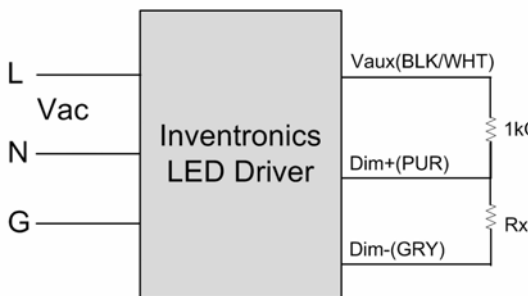
Dimming Control (On secondary side)

Parameter	Min.	Typ.	Max.	Notes
12V output voltage (Vaux)	10.8 V	12 V	13.2 V	
12V Output source current	0 mA	-	20 mA	
Absolute Maximum voltage on the 1~10V input pin	0 V	-	12 V	
Source current on 1~10V input pin	0 uA	-	200 uA	

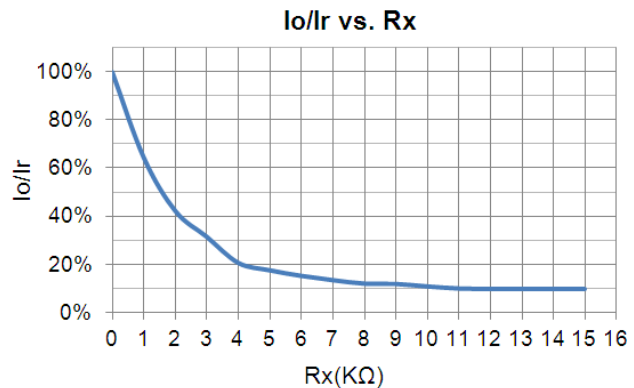
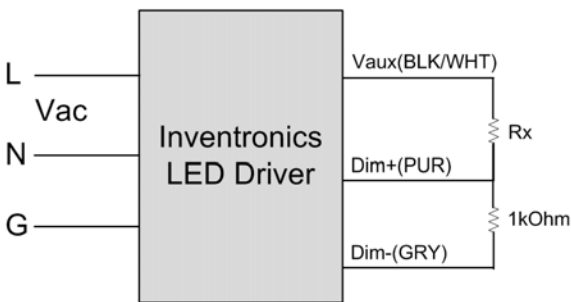
The dimmer control may be operated from either a potentiometer or from an input signal of 1-10 Vdc. Two recommended implementations are provided below.



Implementation 1: DC input



Implementation 2: External Resistor



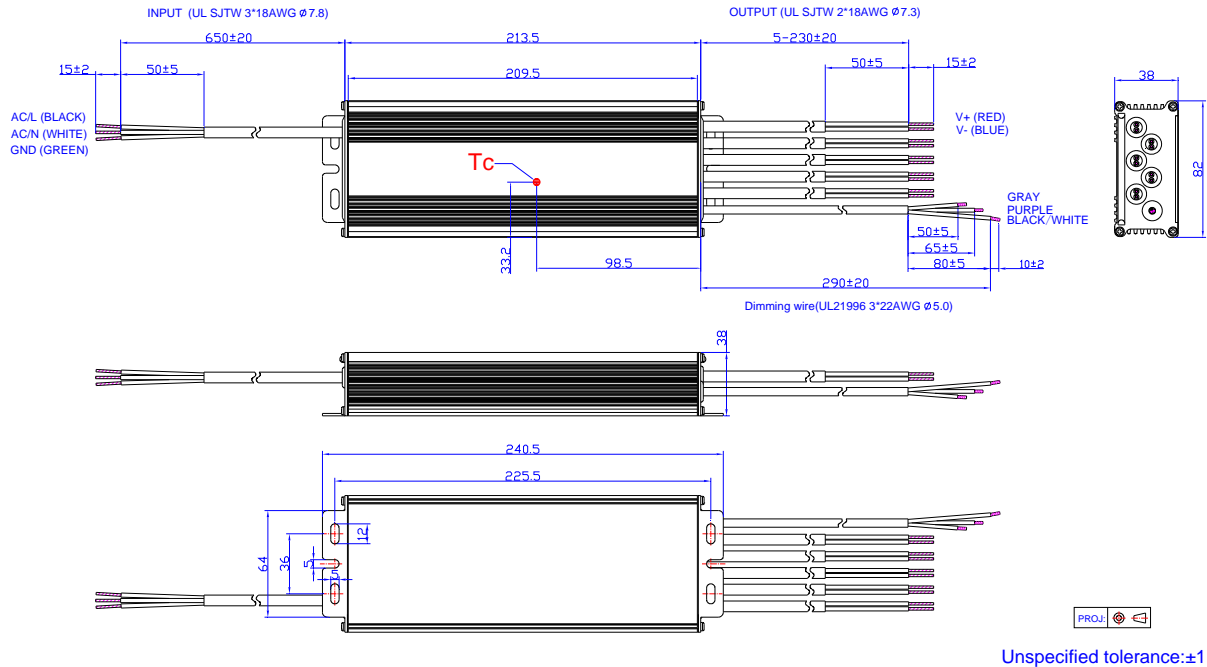
Implementation 3: External Resistor

Notes:

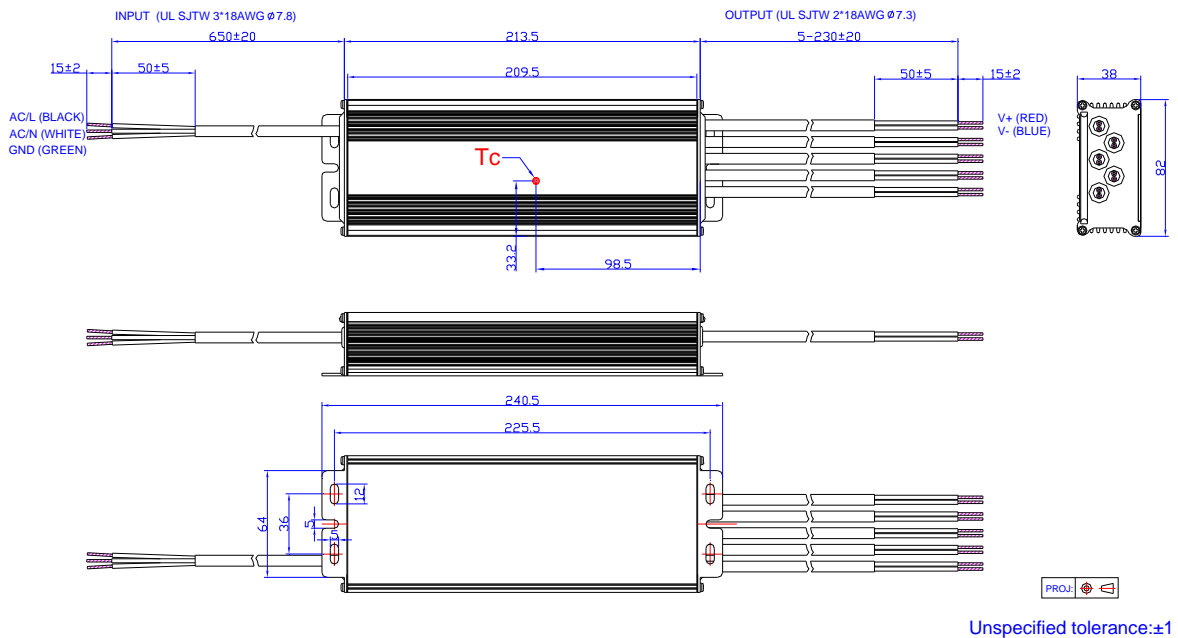
1. I_o is actual output current and I_r is rated current without dimming control.
2. For the driver to operate properly, the load voltage must be maintained above the minimum voltage threshold (approx. 50% of the max. output voltage for any given model).
3. If the output voltage is maintained above 50% of the maximum output voltage, the dimming control may be operated over the entire 1-10V range with output current varying from 10% to 100% of I_r .
4. The dimming signal is allowed to be less than 1V, however, when it for 0-1V, the output current is 10% I_o .
5. Do not connect the GND of dimming to the output; otherwise, the LED driver cannot work normally.
6. If 0-10V dimming is not used, Dim + can be either open or connected to Vaux.

Mechanical Outline

EUC-200PxxxDT



EUC-200PxxxST



RoHS Compliance

Our products comply with the European Directive 2011/65/EC, calling for the elimination of lead and other hazardous substances from electronic products.

Revision History

Change Date	Rev.	Description of Change		
		Item	From	To
2012-03-06	A	Datasheets Release	/	/
2012-05-02	B	450 mA Model	/	Added
		Output Power---600mA Updated	200W	210W
		No Load Voltage	/	Updated
		Efficiency Curve, PF Curve	/	Corrected
		Class 2	/	Corrected
2012-05-17	C	Max of No Load Voltage	/	Added
		Operating Temperature	-35°C	-40°C
2012-05-22	D	Output Current Ripple (pk-pk)	30% Io	15% Io
		Inrush Current	50 A	65 A
2012-07-04	E	Efficiency of Models 1400 mA & 1050 mA	Min 85.5% Typical 86.5% @ 110V 89.0% 90.0% @ 220V	
		Derating Curve	/	Corrected
		Dimming Curve	/	Corrected
2012-07-17	F	Max Case Temperature	/	Updated
2012-09-05	G	Derating Curve	/	Updated
		Life time Curve	/	Updated
		Turn-on delay time @120Vac	Type 1.0s, max 3.0s	Type 1.0s, max 2.0s
		Turn-on delay time @220Vac	Type 1.0s, max 3.0s	Type 0.5s, max 1.5s
		PF Min, THD Max, Tem co-efficient	/	Added
		Inrush Current(I ² t)	/	Added
		Temperature co-efficient	/	Added
		PF Curve	/	Updated
Efficiency of 450 mA Model	/	0.5% Lower		
2013-02-01	H	Efficiency Curve of all the models	/	Added
		THD Curve	/	Added
		Derating Curve	/	Updated
		Life time	/	83,500 Hours
		Life Time Curve	/	Updated
2013-06-04	I	MTBF	183,000 Hours	224,000 Hours
		Dimming curve---Io/Ir vs. Rx	/	Added
2013-10-10	J	No-load Output Voltage	/	Updated

Revision History

Change Date	Rev.	Description of Change		
		Item	From	To
2017-12-28	K	KS	/	Added
		Features	/	Updated
		Description	/	Updated
		Models	Notes	Updated
		Input Specifications	PF/THD	Updated
		Output Specifications	No-load Output Voltage	Updated
		Output Specifications	Turn-on Delay Time	Updated
		Output Specifications	Temperature Coefficient	Updated
		General Specifications	Case Temperature	Operating Case Temperature for Safety Tc_s
		General Specifications	Operating Case Temperature for Warranty Tc_w	Added
		General Specifications	Storage Temperature	Added
		General Specifications	/	Updated
		Environmental Specifications	/	Deleted
		Safety & EMC Compliance	/	Updated
		Derating Curve	/	Deleted
Mechanical Outline	/	Updated		
2019-05-06	L	EAC	/	Added
		General Specifications - Net Weight	1340g	1450g
		Safety & EMC Compliance	/	Updated