

Features

- Surge voltage rating = 10kV using industry standard 1.2/50us wave
- High temperature, 85°C maximum surface temp rating, flameproof plastic enclosure
- The PD-10KD05KWS is 3-leaded device that protects Vin+-Vin-; Vin+-PE; Vin--PE in accordance with IEC EN61000-4-5 guidelines.
- Only Suitable for Inventronics LED Drivers



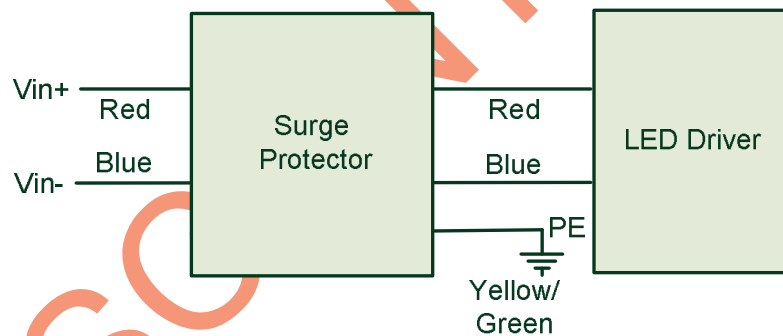
Description

The PD-10KD05KWS is designed to be used in conjunction with LED Drivers to provide an additional level of surge and transient protection in industrial and commercial applications.

Models

Model	Input Voltage	Clamping Voltage (Vin+-Vin-)	Clamping Voltage (Vin+-PE; Vin--PE)	In (8/20uS)
PD-10KD05KWS	12~36 Vdc	≤0.5k V	≤1.0kV	5 kA

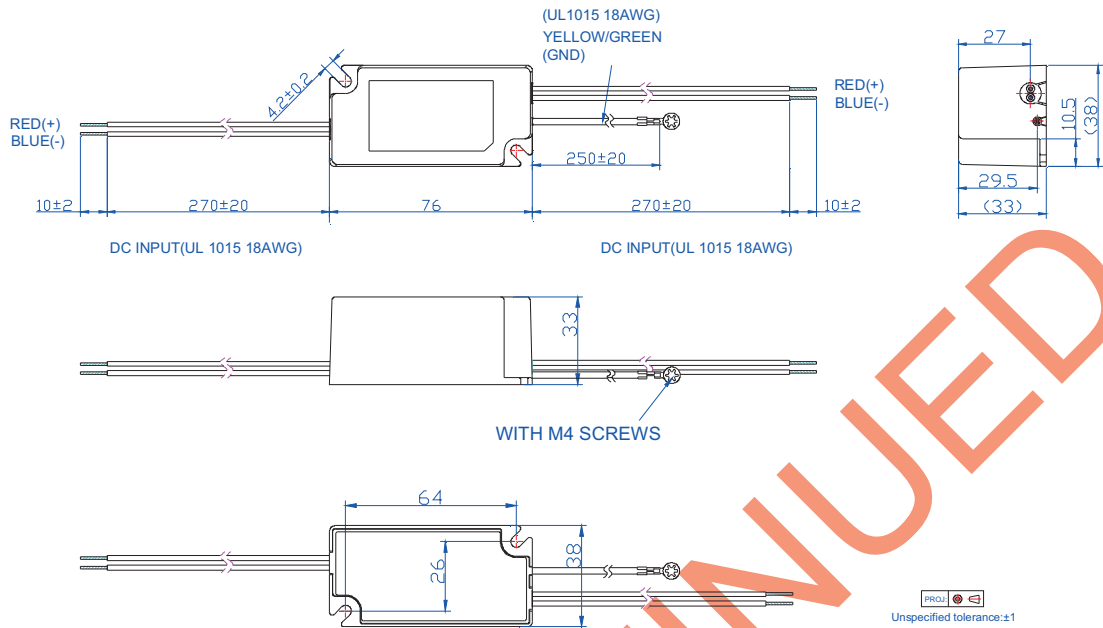
Wiring



Environmental Specifications

Parameter	Min.	Typ.	Max.	Notes
Operating Ambient Temperature	-40°C	-	+70°C	Humidity: 10% RH to 100% RH
Operating Case Temperature	-40°C	-	+70°C	Full load condition. Humidity: 10% RH to 100% RH
Storage Temperature	-40°C	-	+85°C	Humidity: 5% RH to 100% RH

Mechanical Outline



DISCONTINUED

Revision History

Change Date	Rev.	Description of Change		
		Item	From	To
2013-11-21	A	Datasheets Release	/	/

DISCONTINUED