

## Features

- Surge voltage rating = 10kV using industry standard 1.2/50us wave
- High temperature, 85°C maximum surface temp rating, flameproof plastic enclosure
- The PW-10KD05KWV is 3-leaded device that protects Line-Ground, Line-Neutral, and Neutral-Ground in accordance with IEEE/ANSI C62.41.2 / IEC EN61000-4-5 guidelines.
- Only Suitable for Inventronics LED Drivers



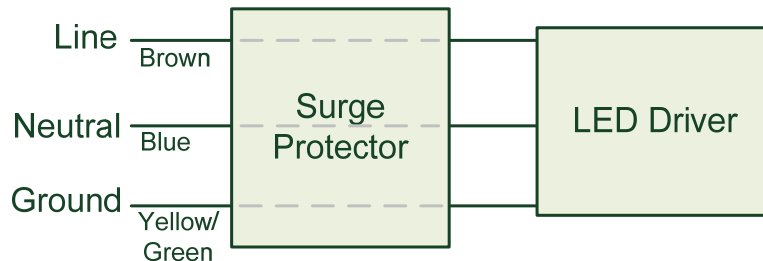
## Description

The PW-10KD05KWV is designed to be used in conjunction with LED Drivers to provide an additional level of surge and transient protection in industrial and commercial applications.

## Models

Model	AC Input Voltage	Clamping Voltage (L-N)	Clamping Voltage (LN-G)	In (8/20uS)
PW-10KD05KWV	90~264 Vac	≤2000 V	≤2000 V	5 kA

## Wiring



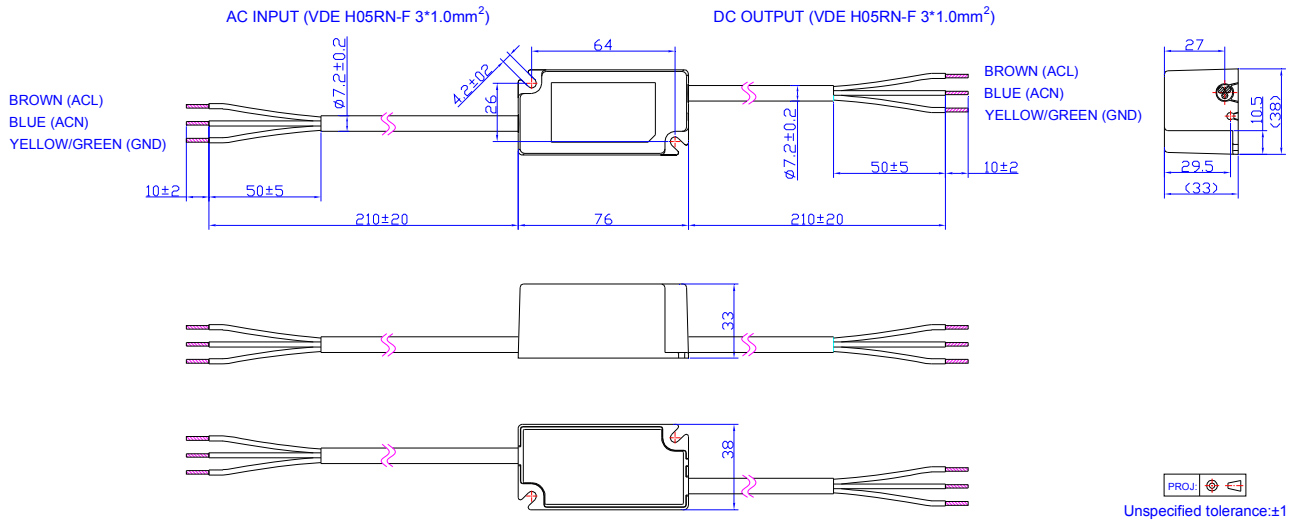
## General Specifications

Parameter	Min.	Typ.	Max.	Notes
Net Weight	-	180 g	-	

## Environmental Specifications

Parameter	Min.	Typ.	Max.	Notes
Operating Ambient Temperature	-40°C	-	+70°C	Humidity: 10% RH to 100% RH
Operating Case Temperature	-40°C	-	+70°C	Full load condition. Humidity: 10% RH to 100% RH
Storage Temperature	-40°C	-	+85°C	Humidity: 5% RH to 100% RH

## Mechanical Outline



## Revision History

Change Date	Rev.	Description of Change		
		Item	From	To
2013-04-28	A	Datasheet Release	/	/
2013-10-28	B	Environmental specifications	/	Added
2018-09-29	C	General Specifications - Net Weight	/	Added
		Mechanical Outline	/	Updated