

Features

- Customized Dimming Control Scheme
- Wide Dimming Voltage Range:0V-10V
- Soft Start Function
- Accurate Time Control
- Waterproof (IP67) and Damp & Wet Location



Description

The TDD-ANFN-xxxx Dimmer is designed to work with 0-10V dimmable LED driver. The standard features include programmable dimming control, programmable soft start, factory setting and accurate time delay etc.

Wire Function Description

Wire number	Name	Color	Function
1	DIM+	Purple	Provide 0-10V dimming control signal and ± 2 mA current drive ability. Connect with 0-10V dimming control wire of LED driver.
2	DIM-	Gray	Connect with 0-10V dimming control return of LED driver.
3	VC	Black/White	Power supply for the dimmer.

Model Selection & Input Specifications

Parameter	Min.	Typ.	Max.	Model Part Number
VC Voltage	11.4 V	12 V	20 V	TDD-ANFN-0000
VC Current	-	5 mA	10 mA	
VC Voltage	20 V	-	70 V	TDD-ANFN-0001
VC Current	-	10 mA	15 mA	

Note: -xxxx indicates customized designs

Output Specifications

Parameter	Min.	Typ.	Max.	Notes
DIM+ Voltage	0 V	-	10 V	
DIM+ Source Current	0 mA	-	2 mA	
DIM+ Sink Current	0 mA	-	10 mA	

Time Specifications

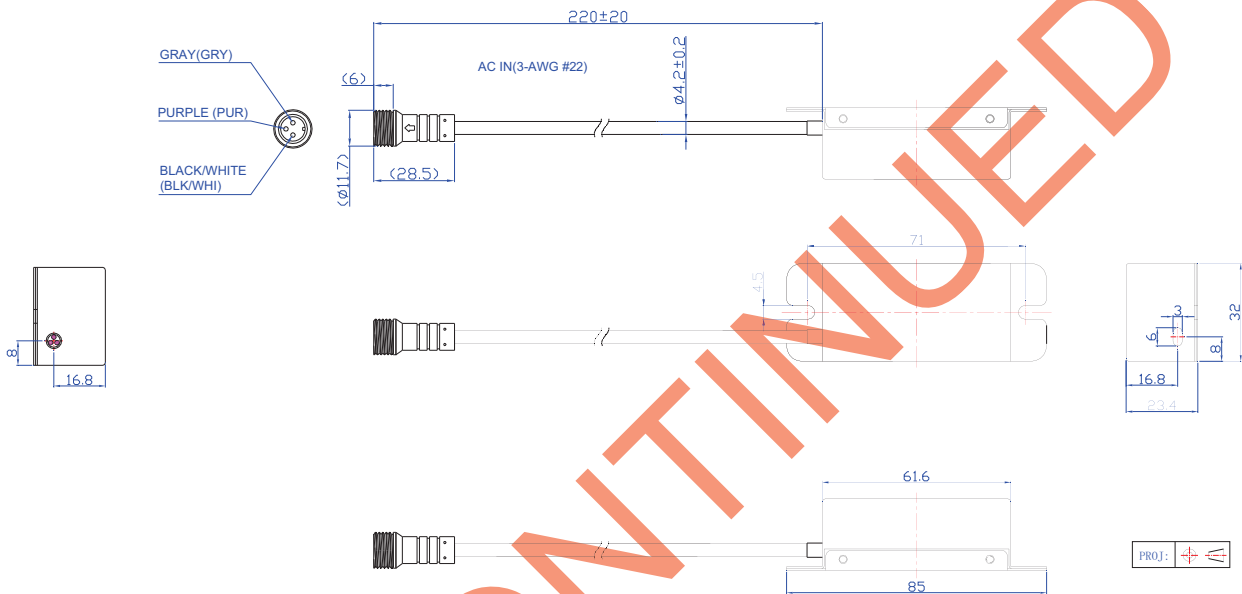
Parameter	Min.	Typ.	Max.	Notes
Time Tolerance	-5%	-	5%	$-40^{\circ}\text{C} \leq T_a \leq +70^{\circ}\text{C}$

Specifications are subject to changes without notice.

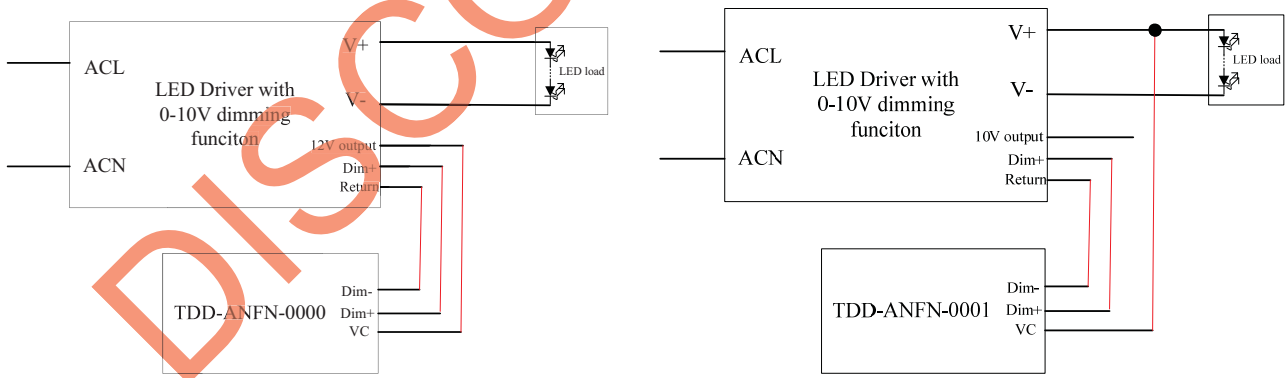
Environmental Specifications

Parameter	Min.	Typ.	Max.	Notes
Operating Temperature	-40 °C	-	+70 °C	Humidity: 10% RH to 100% RH
Storage Temperature	-40 °C	-	+85 °C	Humidity: 5% RH to 100% RH

Mechanical Outline

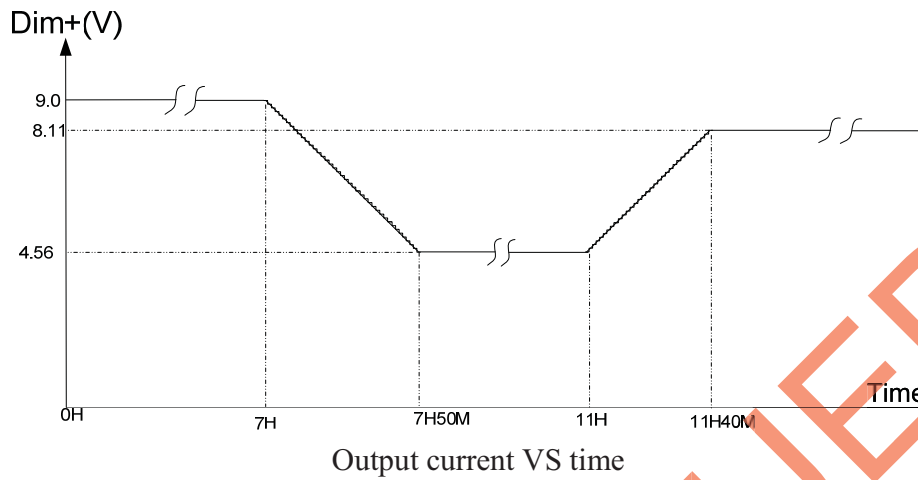


Wiring Diagram



Note: The voltage of V- and Dim- are almost same..

Sequence Chart



Notes:

- (1) H:Hour M:Minute
- (2) The tolerance of Dim+ voltage is 2.5%.

RoHS Compliance

Our products comply with the European Directive 2002/95/EC, calling for the elimination of lead and other hazardous substances from electronic products.

Specifications are subject to changes without notice.

Revision History

Change Date	Rev.	Description of Change		
		Item	From	To
2011-08-29	A	Datasheets First Release	/	/
2011-09-14	B	Tolerance of dim+ voltage	2%	2.5%
		Add a note for wire diagram	/	/
2012-3-2	C	Mechanical Outline ---Waterproof Joint	/	Added
2012-3-19	D	Mechanical Outline ---length of Waterproof Wire	180 ± 5	230 ± 5
2012-8-1	E	Min Operating Temperature	-35 °C	-40 °C
2012-10-19	F	Mechanical Outline-Wire Length	230 mm	220 mm

DISCONTINUED

Specifications are subject to changes without notice.