

Features

- Customized Dimming Control Scheme
- Wide Dimming Voltage Range:0V-10V
- Soft Start Function
- Accurate Time Control
- Waterproof (IP67) and Damp & Wet Location



Description

The TDD-ANFN-xxxx Dimmer is designed to work with 0-10V dimmable LED driver. The standard features include programmable dimming control, programmable soft start, factory setting and accurate time delay etc.

Wire Function Description

Wire number	Name	Color	Function
1	DIM+	Purple	Provide 0-10V dimming control signal and ± 2 mA current drive ability. Connect with 0-10V dimming control wire of LED driver.
2	DIM-	Gray	Connect with 0-10V dimming control return of LED driver.
3	VC	Black/White	Power supply for the dimmer.

Model Selection & Input Specifications

Parameter	Min.	Typ.	Max.	Model Part Number
VC Voltage	11.4 V	12 V	20 V	TDD-ANFN-0000
VC Current	-	5 mA	10 mA	
VC Voltage	20 V	-	70 V	TDD-ANFN-0001
VC Current	-	10 mA	15 mA	

Note: -xxxx indicates customized designs

Output Specifications

Parameter	Min.	Typ.	Max.	Notes
DIM+ Voltage	0 V	-	10 V	
DIM+ Source Current	0 mA	-	2 mA	
DIM+ Sink Current	0 mA	-	10 mA	

Time Specifications

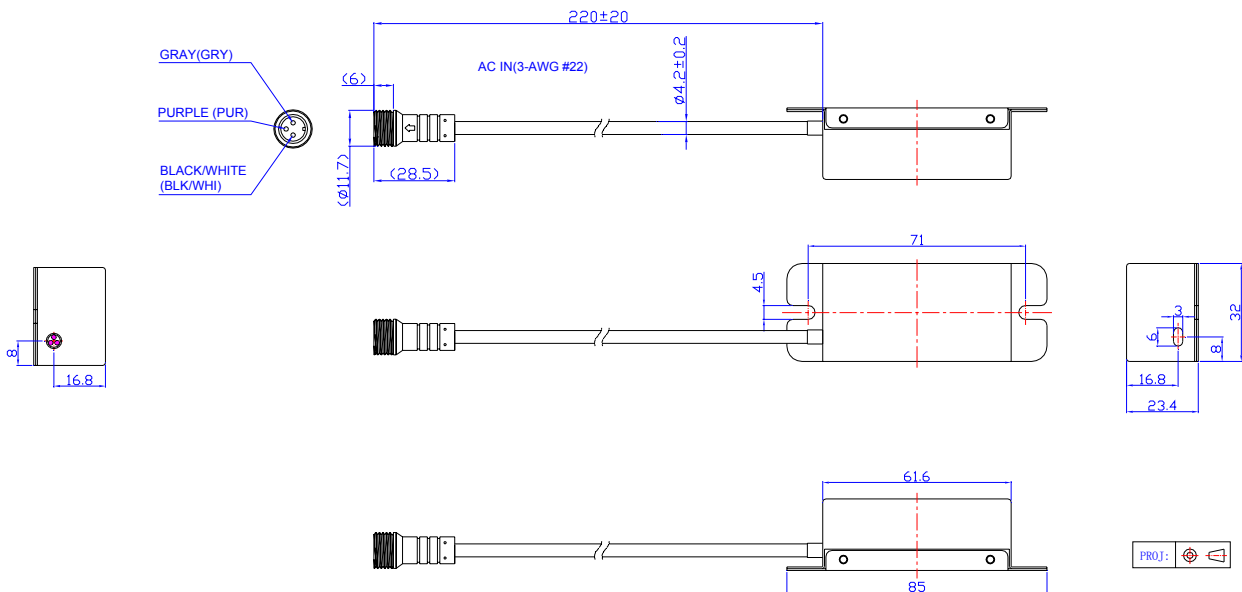
Parameter	Min.	Typ.	Max.	Notes
Time Tolerance	-5%	-	5%	$-40^{\circ}\text{C} \leq T_a \leq +70^{\circ}\text{C}$

Specifications are subject to changes without notice.

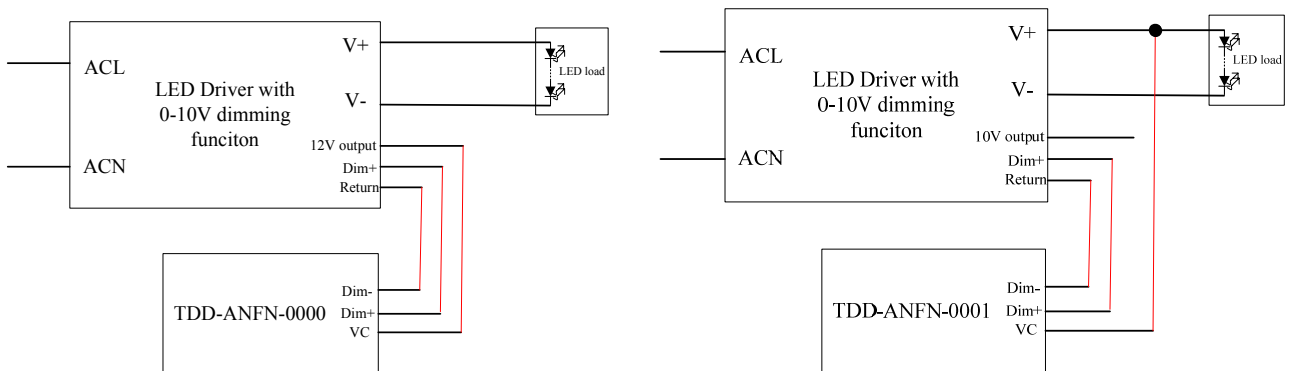
Environmental Specifications

Parameter	Min.	Typ.	Max.	Notes
Operating Temperature	-40 °C	-	+70 °C	Humidity: 10% RH to 100% RH
Storage Temperature	-40 °C	-	+85 °C	Humidity: 5% RH to 100% RH

Mechanical Outline

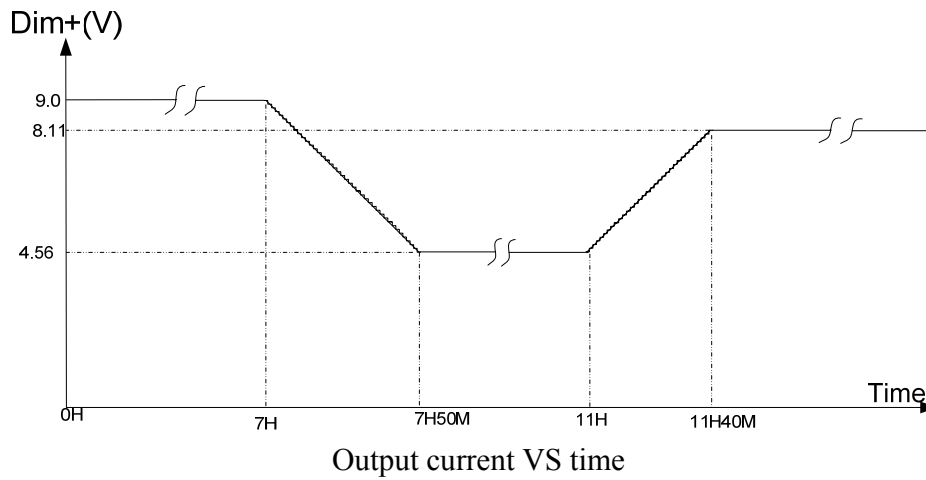


Wiring Diagram



Note: The voltage of V- and Dim- are almost same..

Sequence Chart



Notes:

- (1) H:Hour M:Minute
- (2) The tolerance of Dim+ voltage is 2.5%.

RoHS Compliance

Our products comply with the European Directive 2002/95/EC, calling for the elimination of lead and other hazardous substances from electronic products.

Revision History

Change Date	Rev.	Description of Change		
		Item	From	To
2011-08-29	A	Datasheets First Release	/	/
2011-09-14	B	Tolerance of dim+ voltage	2%	2.5%
		Add a note for wire diagram	/	/
2012-3-2	C	Mechanical Outline ---Waterproof Joint	/	Added
2012-3-19	D	Mechanical Outline ---length of Waterproof Wire	180±5	230±5
2012-8-1	E	Min Operating Temperature	-35 °C	-40 °C
2012-10-19	F	Mechanical Outline-Wire Length	230 mm	220 mm

Specifications are subject to changes without notice.