

Features

- Flexible Brackets for Simple and Quick Assembly
- Different Kinds of Options for Installation
- Easy to Install with LED Driver and LED luminaire
- Only Suitable for Inventronics HUK Series Drivers
(See Compatible Driver List)



Description

The BRK-UPR(BTM)xx are the brackets installed with Inventronics HUK series drivers for LED bay lighting applications.

Models

Product Name	Description	Part Number
Upper Bracket	Metal material, DN15 lifting hole	BRK-UPR00
	Metal material, M12 lifting hole	BRK-UPR01
Bottom Bracket	Metal material, mounting holes compatible with EUR-096, EUR-150, EUR-200 and EUR-240 drivers	BRK-BTM00
	Metal material, mounting holes compatible with EUR-096 driver	BRK-BTM01

Compatible Driver List

Series Number	Part Number	Notes
HUK	HUK-096SxxxDT/DV	
	HUK-150SxxxDT/DV	
	HUK-200SxxxDT/DV	
	HUK-240SxxxDT/DV	

Environmental Specifications

Parameter	Min.	Typ.	Max.	Notes
Operating Temperature	-40°C	-	+70°C	Humidity: 5%RH to 85%RH. No condensation.
Storage Temperature	-40°C	-	+85°C	Humidity: 5%RH to 85%RH. No condensation.

General Specifications

Parameter	Min.	Typ.	Max.	Part Number
Dimensions Inches (L x W x H) Millimeters (L x W x H)	2.34 x 2.34 x 2.28 59.5 x 59.5 x 58			BRK-UPR00
	2.34 x 2.34 x 2.28 59.5 x 59.5 x 58			BRK-UPR01
	7.09 x 7.09 x 1.87 180 x 180 x 47.5			BRK-BTM00
	3.94 x 3.94 x 1.12 100 x 100 x 28.5			BRK-BTM01
Net Weight	-	82 g	-	BRK-UPR00
	-	86 g	-	BRK-UPR01
	-	394 g	-	BRK-BTM00
	-	95 g	-	BRK-BTM01

Packing List

Part Number	Packing List	Function
BRK-UPR00	BRK-UPR00	Upper Bracket
	5pcs of M5 Socket Head Cap Screws	Fix BRK-UPR00 to HUK driver
	5pcs of Flat Gaskets	Installed between cap screw and tooth type gasket
	5pcs of Tooth Type Gaskets	Installed between flat gasket and HUK driver
BRK-UPR01	BRK-UPR01	Upper Bracket
	5pcs of M5 Socket Head Cap Screws	Fix BRK-UPR01 to HUK driver
	5pcs of Flat Gaskets	Installed between cap screw and tooth type gasket
	5pcs of Tooth Type Gaskets	Installed between flat gasket and HUK driver
BRK-BTM00	BRK-BTM00	Bottom Bracket
	5pcs of M5 Socket Head Cap Screws	Fix BRK-BTM00 to HUK driver
	5pcs of Flat Gaskets	Installed between cap screw and tooth type gasket
	5pcs of Tooth Type Gaskets	Installed between flat gasket and HUK driver

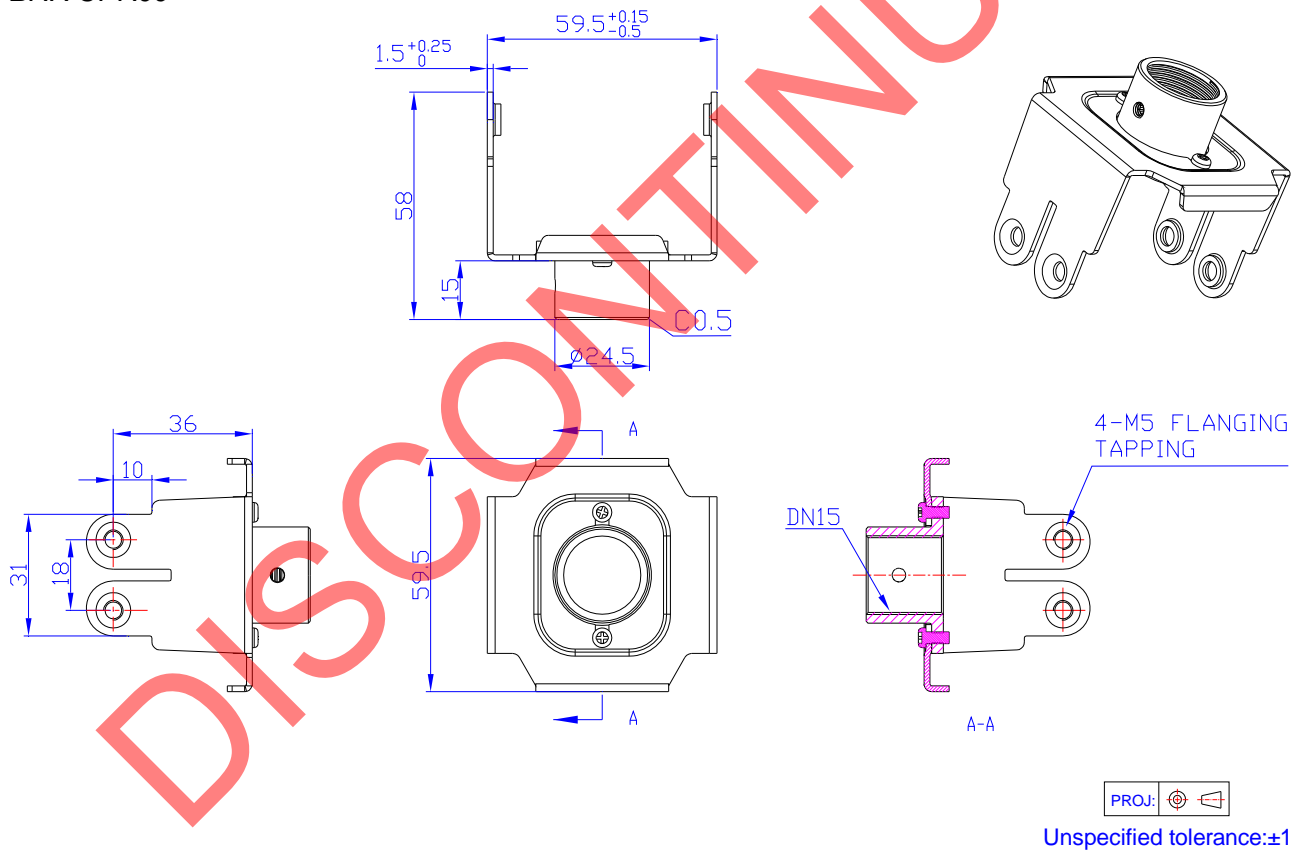
Packing List (Continued)

Part Number	Packing List	Function
BRK-BTM01	BRK-BTM01	Bottom Bracket
	5pcs of M5 Socket Head Cap Screws	Fix BRK-BTM01 to HUK driver
	5pcs of Flat Gaskets	Installed between cap screw and tooth type gasket
	5pcs of Tooth Type Gaskets	Installed between flat gasket and HUK driver

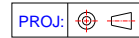
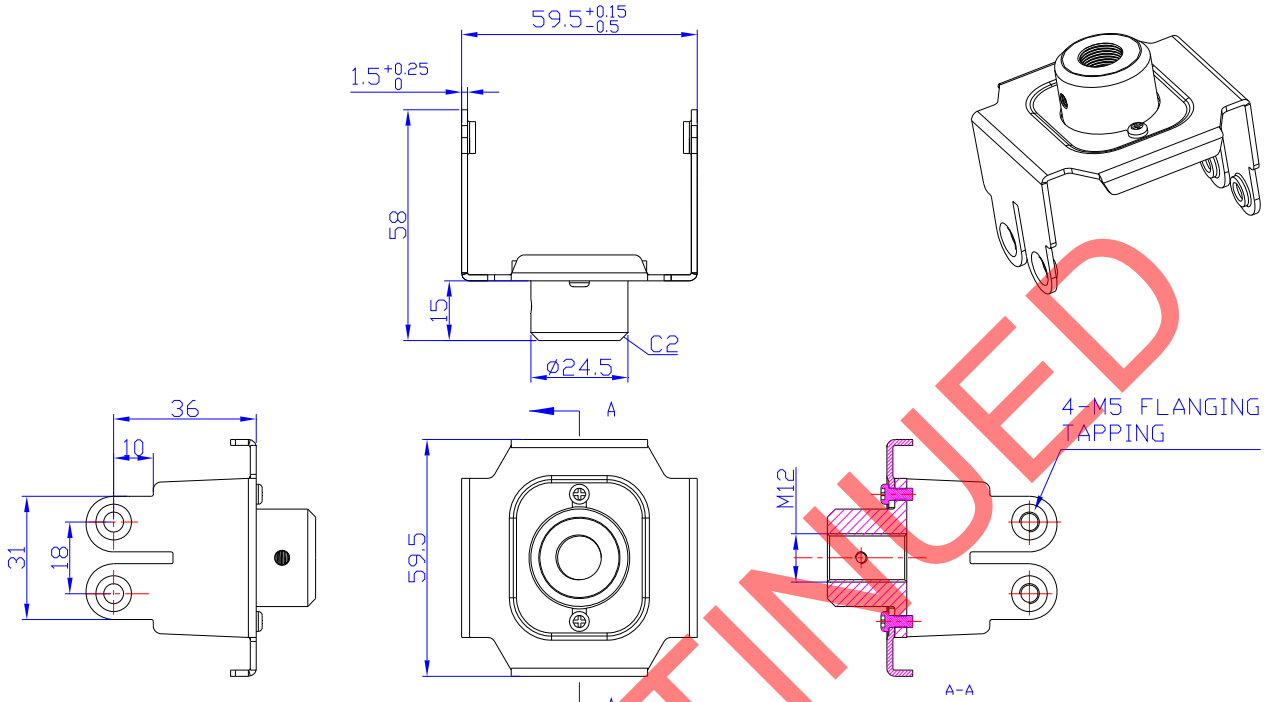
Note: Each bracket only needs 4pcs of socket head cap screws, flat gaskets and tooth type gaskets for installation. The extra one for each is for back-up use.

Mechanical Outline

BRK-UPR00

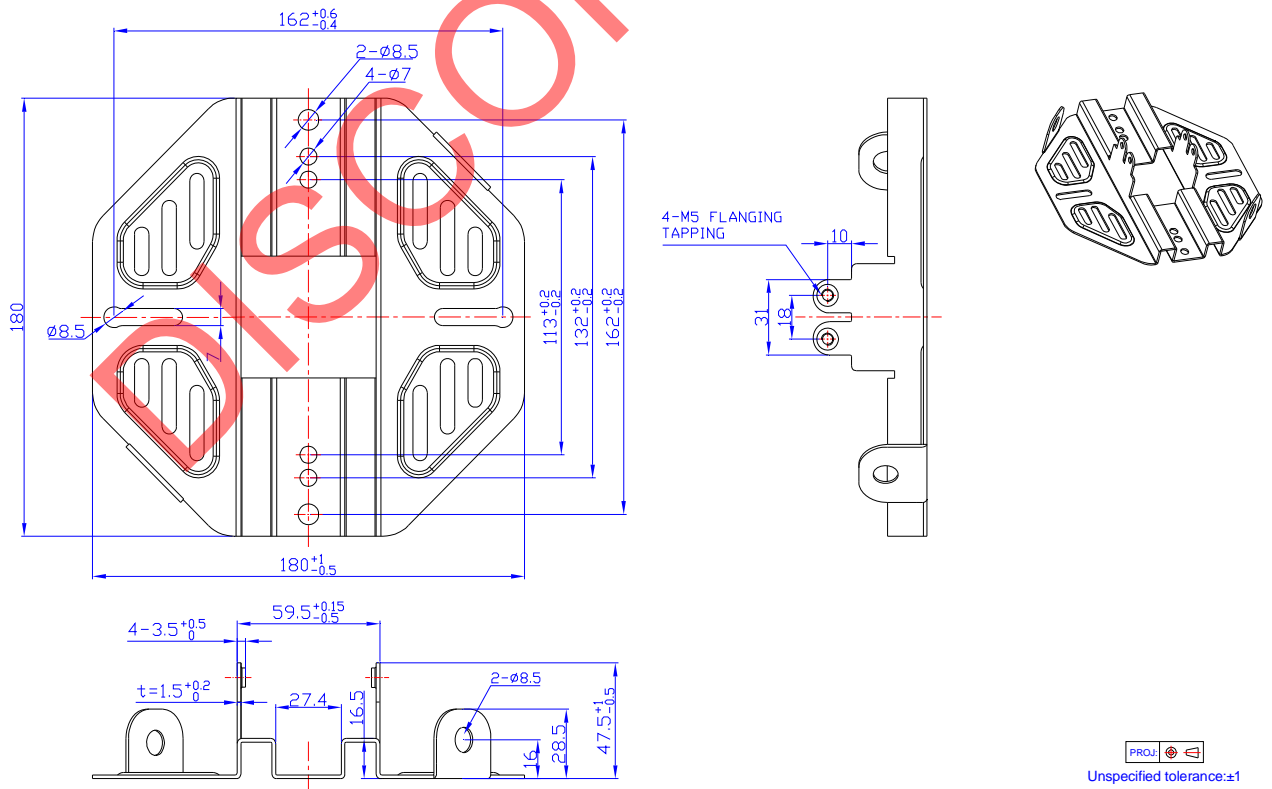


BRK-UPR01



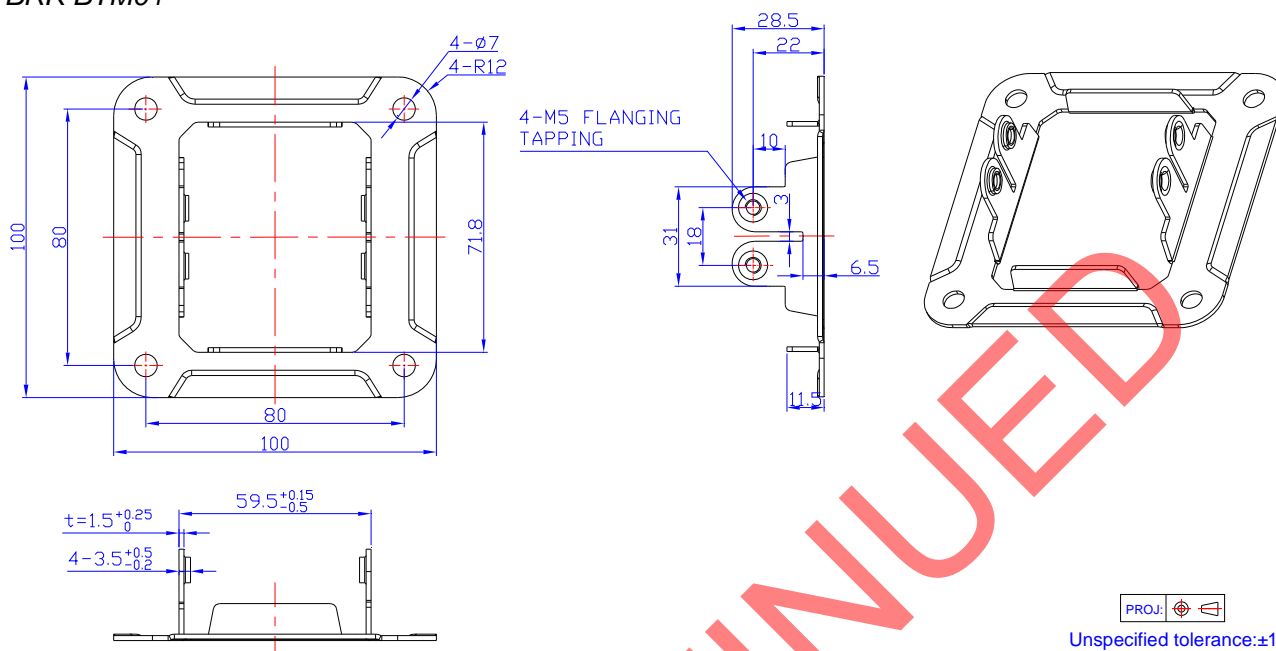
Unspecified tolerance: ± 1

BRK-BTM00



Unspecified tolerance: ± 1

BRK-BTM01



RoHS Compliance

Our products comply with the European Directive 2011/65/EU, calling for the elimination of lead and other hazardous substances from electronic products.

Revision History

Change Date	Rev.	Description of Change		
		Item	From	To
2017-01-18	A	Datasheet Release	/	/

DISCONTINUED