

## Features

- Flexible Brackets for Simple and Quick Assembly
- Different Kinds of Options for Installation
- Easy to Install with LED Driver and LED luminaire
- Only Suitable for Inventronics HUK Series Drivers  
(See Compatible Driver List)



## Description

The BRK-UPR(BTM)xx are the brackets installed with Inventronics HUK series drivers for LED bay lighting applications.

## Models

| Product Name   | Description  | Part Number |
|----------------|--|-------------|
| Upper Bracket  | Metal material, DN15 lifting hole  | BRK-UPR00   |
|                | Metal material, M12 lifting hole   | BRK-UPR01   |
| Bottom Bracket | Metal material, mounting holes compatible with EUR-096, EUR-150, EUR-200 and EUR-240 drivers | BRK-BTM00   |
|                | Metal material, mounting holes compatible with EUR-096 driver                                | BRK-BTM01   |

## Compatible Driver List

| Series Number | Part Number      | Notes |
|---------------|------------------|-------|
| HUK           | HUK-096SxxxDT/DV |       |
|               | HUK-150SxxxDT/DV |       |
|               | HUK-200SxxxDT/DV |       |
|               | HUK-240SxxxDT/DV |       |

## Environmental Specifications

| Parameter             | Min.  | Typ. | Max.  | Notes  |
|-----------------------|-------|------|-------|--|
| Operating Temperature | -40°C | -    | +70°C | Humidity: 5%RH to 85%RH.<br>No condensation. |
| Storage Temperature   | -40°C | -    | +85°C | Humidity: 5%RH to 85%RH.<br>No condensation. |

## General Specifications

| Parameter   | Min.                                   | Typ.  | Max. | Part Number |
|---|--|-------|------|-------------|
| Dimensions<br>Inches (L x W x H)<br>Millimeters (L x W x H) | 2.34 x 2.34 x 2.28<br>59.5 x 59.5 x 58 |       |      | BRK-UPR00   |
|   | 2.34 x 2.34 x 2.28<br>59.5 x 59.5 x 58 |       |      | BRK-UPR01   |
|   | 7.09 x 7.09 x 1.87<br>180 x 180 x 47.5 |       |      | BRK-BTM00   |
|   | 3.94 x 3.94 x 1.12<br>100 x 100 x 28.5 |       |      | BRK-BTM01   |
| Net Weight  | -                                      | 82 g  | -    | BRK-UPR00   |
|   | -                                      | 86 g  | -    | BRK-UPR01   |
|   | -                                      | 394 g | -    | BRK-BTM00   |
|   | -                                      | 95 g  | -    | BRK-BTM01   |

## Packing List

| Part Number | Packing List                      | Function  |
|-------------|-----------------------------------|---|
| BRK-UPR00   | BRK-UPR00                         | Upper Bracket                                     |
|             | 5pcs of M5 Socket Head Cap Screws | Fix BRK-UPR00 to HUK driver                       |
|             | 5pcs of Flat Gaskets              | Installed between cap screw and tooth type gasket |
|             | 5pcs of Tooth Type Gaskets        | Installed between flat gasket and HUK driver      |
| BRK-UPR01   | BRK-UPR01                         | Upper Bracket                                     |
|             | 5pcs of M5 Socket Head Cap Screws | Fix BRK-UPR01 to HUK driver                       |
|             | 5pcs of Flat Gaskets              | Installed between cap screw and tooth type gasket |
|             | 5pcs of Tooth Type Gaskets        | Installed between flat gasket and HUK driver      |
| BRK-BTM00   | BRK-BTM00                         | Bottom Bracket                                    |
|             | 5pcs of M5 Socket Head Cap Screws | Fix BRK-BTM00 to HUK driver                       |
|             | 5pcs of Flat Gaskets              | Installed between cap screw and tooth type gasket |
|             | 5pcs of Tooth Type Gaskets        | Installed between flat gasket and HUK driver      |

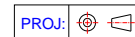
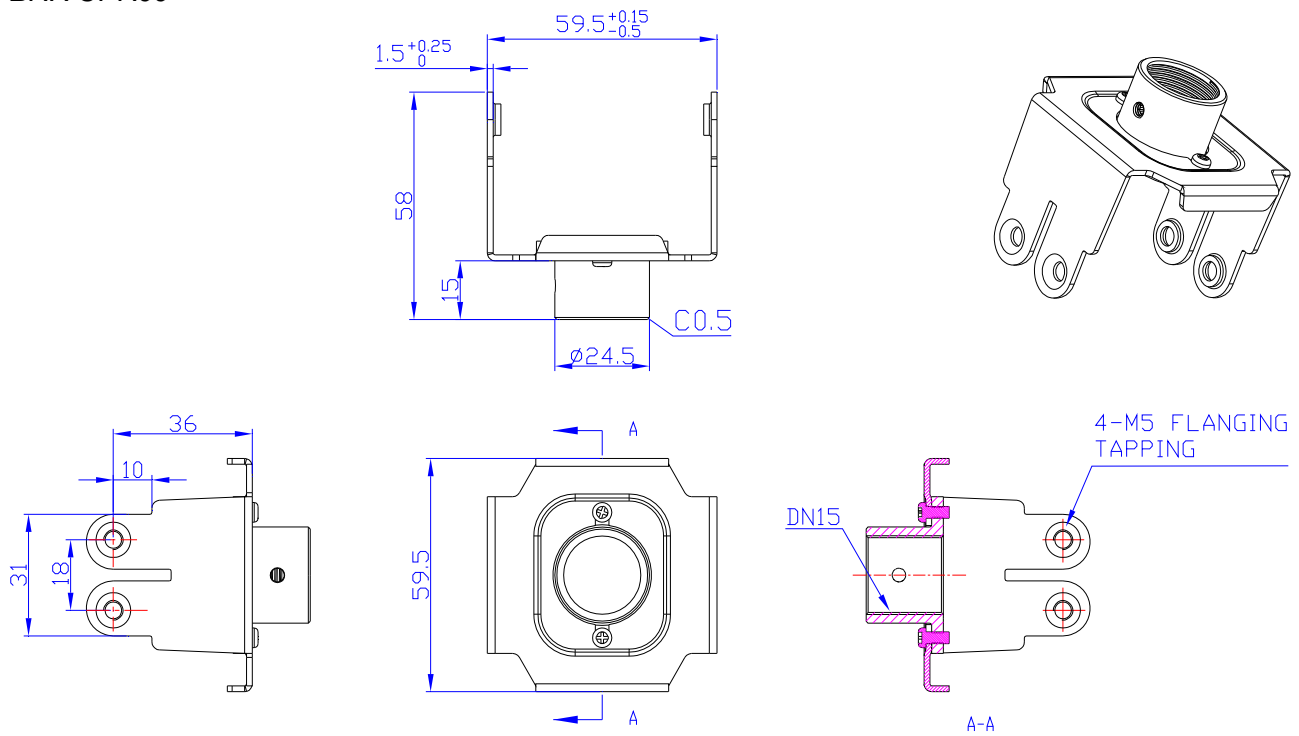
## Packing List (Continued)

| Part Number | Packing List                      | Function  |
|-------------|-----------------------------------|---|
| BRK-BTM01   | BRK-BTM01                         | Bottom Bracket                                    |
|             | 5pcs of M5 Socket Head Cap Screws | Fix BRK-BTM01 to HUK driver                       |
|             | 5pcs of Flat Gaskets              | Installed between cap screw and tooth type gasket |
|             | 5pcs of Tooth Type Gaskets        | Installed between flat gasket and HUK driver      |

**Note:** Each bracket only needs 4pcs of socket head cap screws, flat gaskets and tooth type gaskets for installation. The extra one for each is for back-up use.

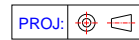
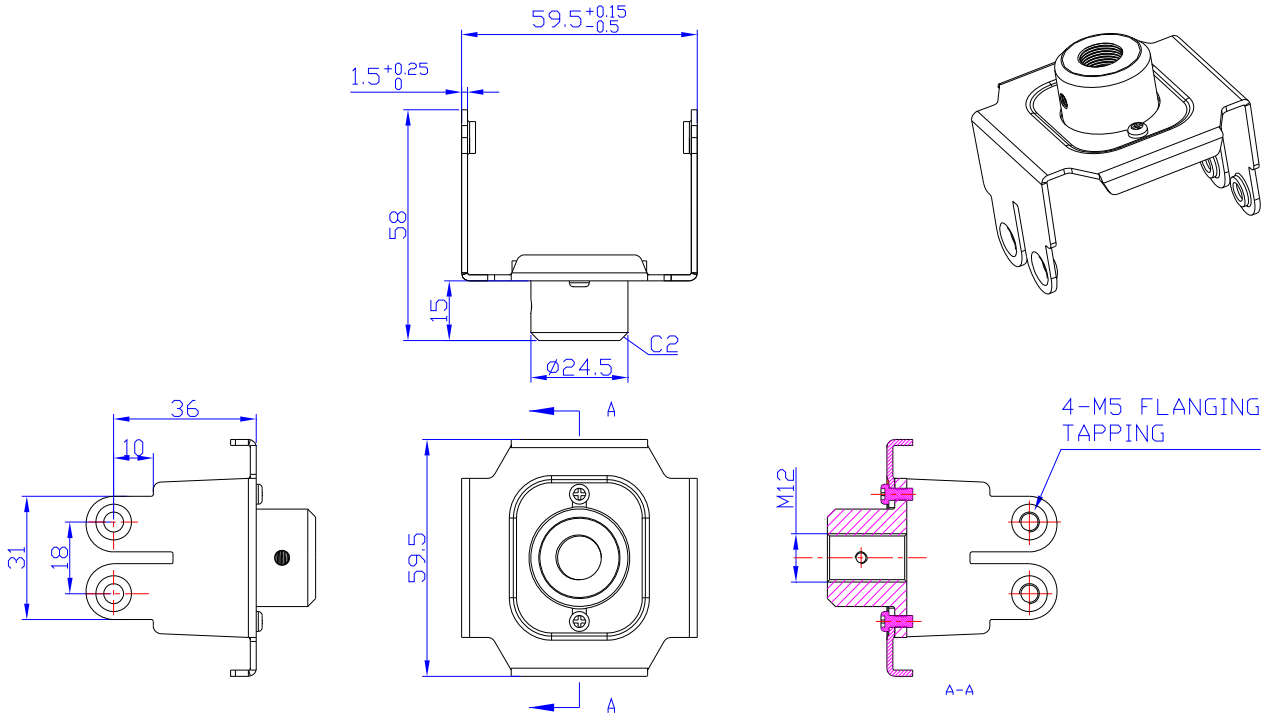
## Mechanical Outline

BRK-UPR00



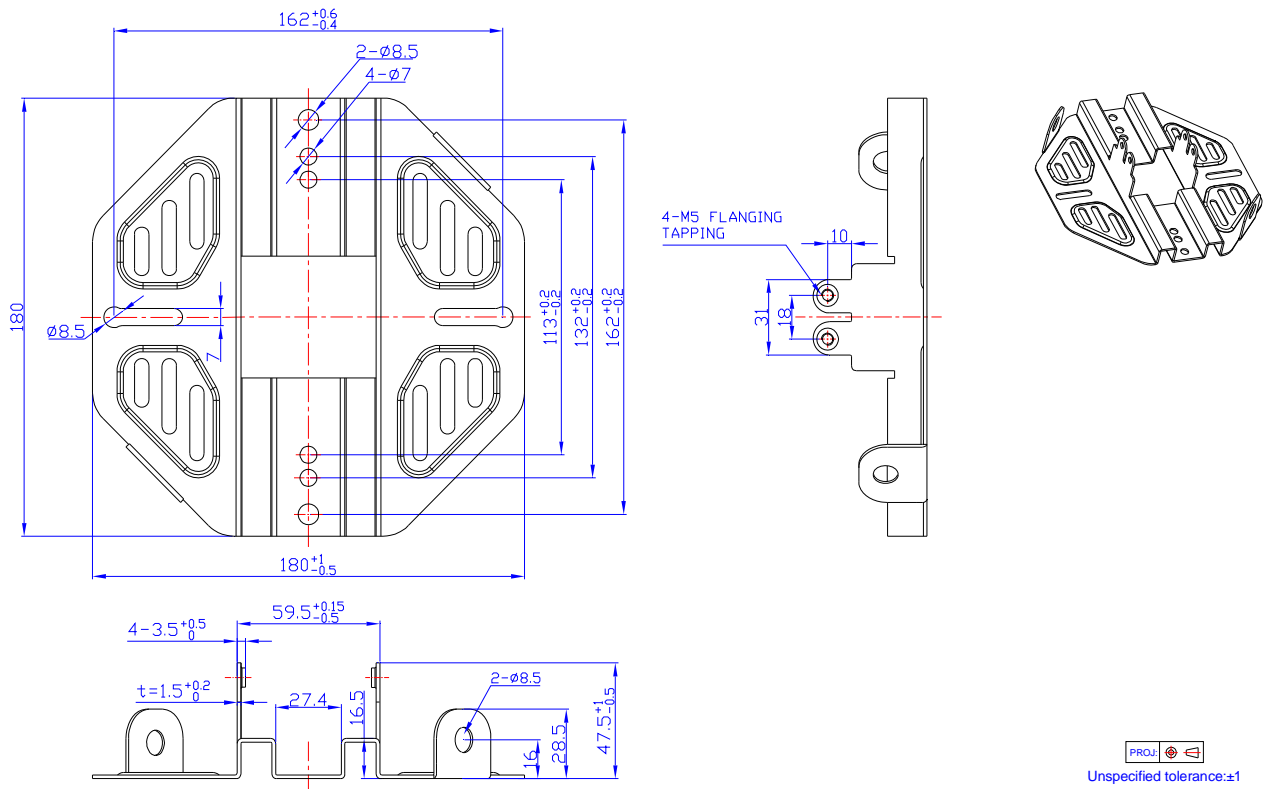
Unspecified tolerance: ±1

BRK-UPR01



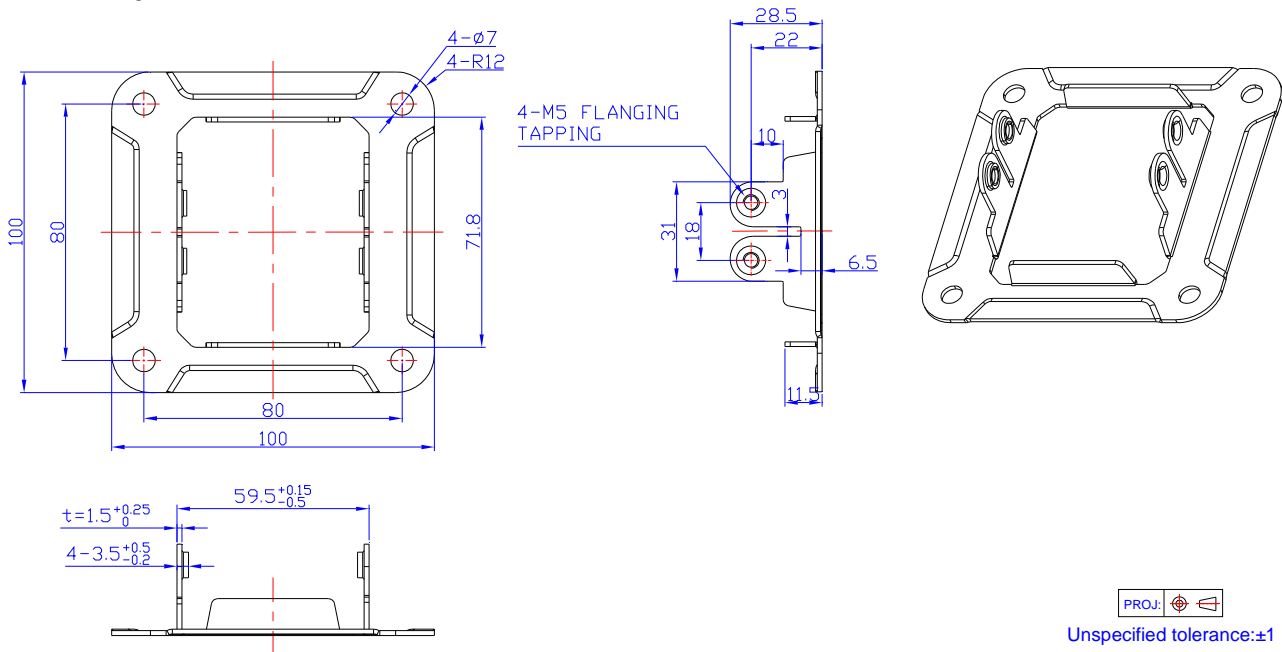
Unspecified tolerance: ±1

BRK-BTM00



Unspecified tolerance: ±1

BRK-BTM01



## RoHS Compliance

Our products comply with the European Directive 2011/65/EU, calling for the elimination of lead and other hazardous substances from electronic products.

## Revision History

| Change Date | Rev. | Description of Change |      |    |
|-------------|------|-----------------------|------|----|
|             |      | Item                  | From | To |
| 2017-01-18  | A    | Datasheet Release     | /    | /  |