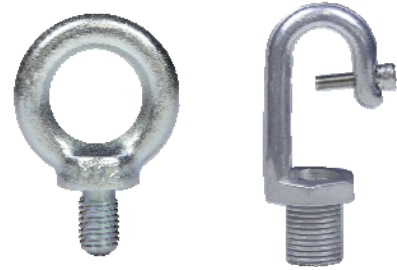


Features

- Standard Metal Parts for Simple and Quick Assembly
- Different Kinds of Options for Lifting Application
- Only Suitable for Inventronics EUR & HUK Series Drivers
(See Compatible Driver List)



Description

The *BLT-Mxxxx* & *HKK-Dxxxx* are the standard metal parts installed with Inventronics EUR or HUK series drivers for LED bay lighting applications.

Models

Product Name	Description	Part Number
Eye Bolt	Cast Iron, M10 size	BLT-M1000
	Cast Iron, M12 size	BLT-M1200
Hook	Aluminum, DN15 size	HKK-D1500

Compatible Driver List

Part Number for Driver	Part Number for Eye Bolt	Part Number for Hook
EUR-096SxxxDT/DV/ST/SV	BLT-M1000	HKK-D1500
EUR-150SxxxDT/DV/ST/SV	BLT-M1000	HKK-D1500
EUR-200SxxxDT/DV/ST/SV	BLT-M1000	HKK-D1500
EUR-240SxxxDT/DV/ST/SV	BLT-M1200	HKK-D1500
EUR-320SxxxDT/DV/ST/SV	BLT-M1200	HKK-D1500
HUK-096SxxxDT/DV	BLT-M1200	HKK-D1500
HUK-150SxxxDT/DV	BLT-M1200	HKK-D1500
HUK-200SxxxDT/DV	BLT-M1200	HKK-D1500
HUK-240SxxxDT/DV	BLT-M1200	HKK-D1500

Environmental Specifications

Parameter	Min.	Typ.	Max.	Notes
Operating Temperature	-40°C	-	+70°C	Humidity: 5%RH to 85%RH. No condensation.
Storage Temperature	-40°C	-	+85°C	Humidity: 5%RH to 85%RH. No condensation.

General Specifications

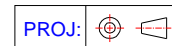
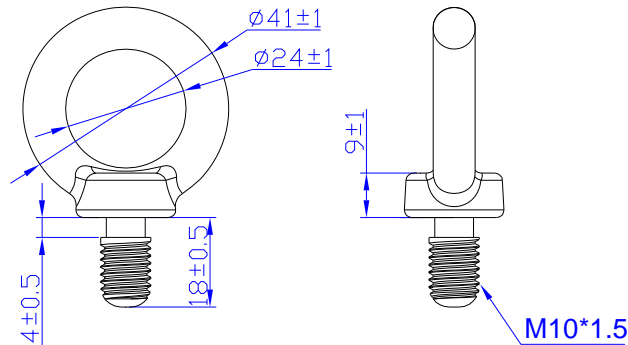
Parameter	Min.	Typ.	Max.	Part Number
Weight Capacity	-	-	20 kg	BLT-M1000
	-	-	20 kg	BLT-M1200
	-	-	20 kg	HKK-D1500
Net Weight	-	105 g	-	BLT-M1000
	-	130 g	-	BLT-M1200
	-	40 g	-	HKK-D1500

Packing List

Part Number	Packing List	Notes
BLT-M1000	120pcs of M10 eye bolts per carton	
BLT-M1200	120pcs of M12 eye bolts per carton	
HKK-D1500	120pcs of DN15 hooks per carton	

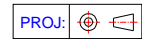
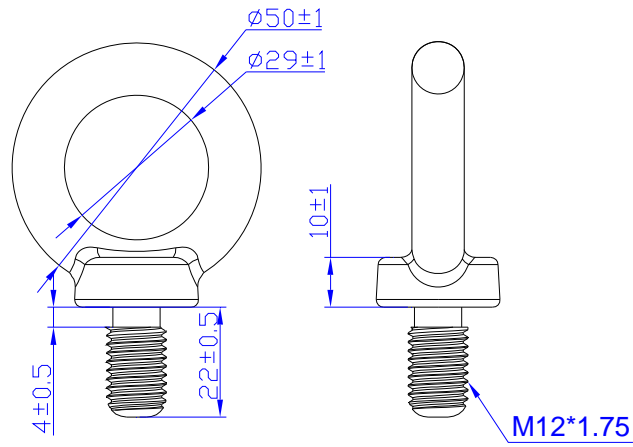
Mechanical Outline

BLT-M1000



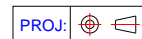
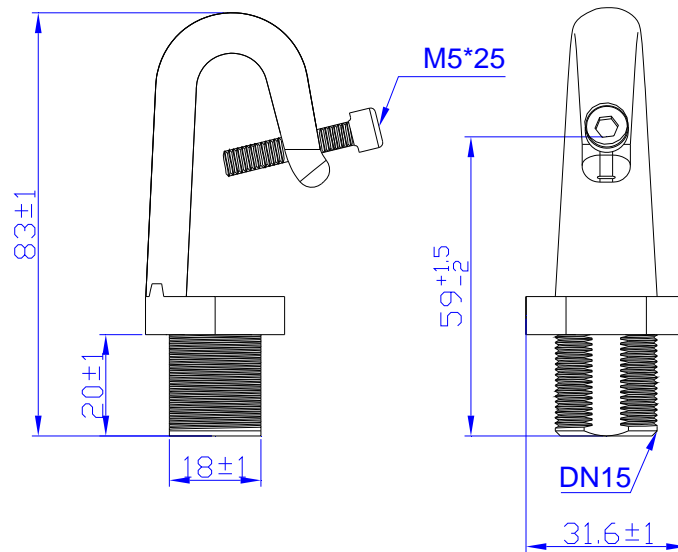
Unspecified tolerance:±1

BLT-M1200



Unspecified tolerance: ± 1

HKK-D1500



Unspecified tolerance: ± 1

RoHS Compliance

Our products comply with the European Directive 2011/65/EU, calling for the elimination of lead and other hazardous substances from electronic products.

Revision History

Change Date	Rev.	Description of Change		
		Item	From	To
2018-08-24	A	Datasheet Release	/	/