

Features

- Flexible Cable Clamp for Simple and Quick Cable Mounting
- Easy to Install with LED Driver
- Only Suitable for Inventronics 2nd Gen. EBS Series Drivers



Description

The END-CAP02 is a cable clamp installed with Inventronics 2nd generation EBS series drivers for independent application.

Model

Name	Description	Part Number
Cable Clamp	Driver Accessory Kit	END-CAP02

Compatible List

Part Number	Driver Part Number	Notes
END-CAP02	EBS-025xxxDT2	
	EBS-025xxxBT2	
	EBS-040xxxDT2	
	EBS-040xxxBT2	
	EBS-080xxxDT2	
	EBS-080xxxBT2	
	EBS-120xxxDT2	
	EBS-120xxxBT2	
	EBS-165xxxDT2	
	EBS-165xxxBT2	

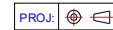
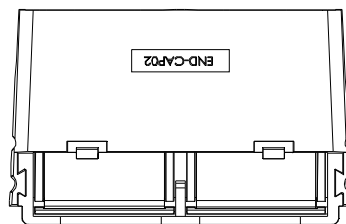
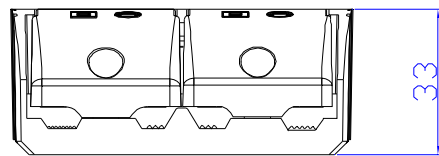
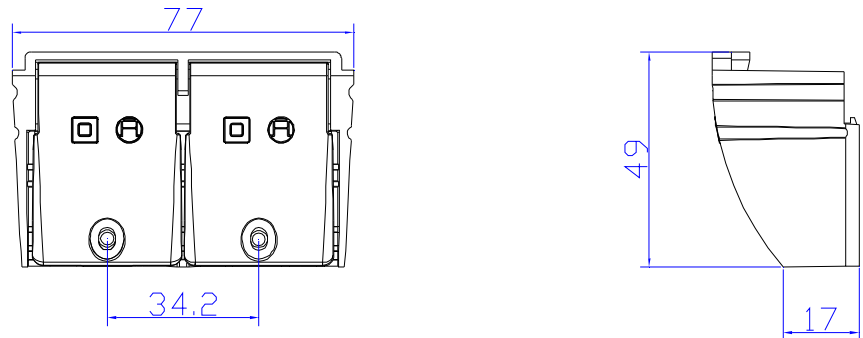
Environmental Specifications

Parameter	Min.	Typ.	Max.	Notes
Operating Temperature	-40°C	-	+70°C	Humidity: 5%RH to 85%RH. No condensation.
Storage Temperature	-40°C	-	+85°C	Humidity: 5%RH to 85%RH. No condensation.

General Specifications

Parameter	Min.	Typ.	Max.	Notes
Dimensions Inches (L x W x H) Millimeters (L x W x H)		3.03 x 1.93 x 1.3 77 x 49 x 33		
Net Weight	-	29 g	-	

Mechanical Outline



Unspecified tolerance: ±1

RoHS Compliance

Our products comply with reference to RoHS Directive (EU) 2015/863 amending 2011/65/EU, calling for the elimination of lead and other hazardous substances from electronic products.

Revision History

Change Date	Rev.	Description of Change		
		Item	From	To
2020-07-22	A	Datasheet Release	/	/
2024-02-22	B	Format	/	Updated
		Compatible List	/	Updated