

Features

- Globally Certified Rubber Cable
- Flexible Cable for Simple and Quick Mounting
- Suitable for Inventronics LED Drivers
- IP67



Description

CAB-OTPG is an IP67 rated connector moulded to a rubber neoprene cable to connect to an external NTC. The connector is certified by UL and CUL. and the cable is certified to UL, CUL, VDE, CCC, KC, PSE and Australia Cert.

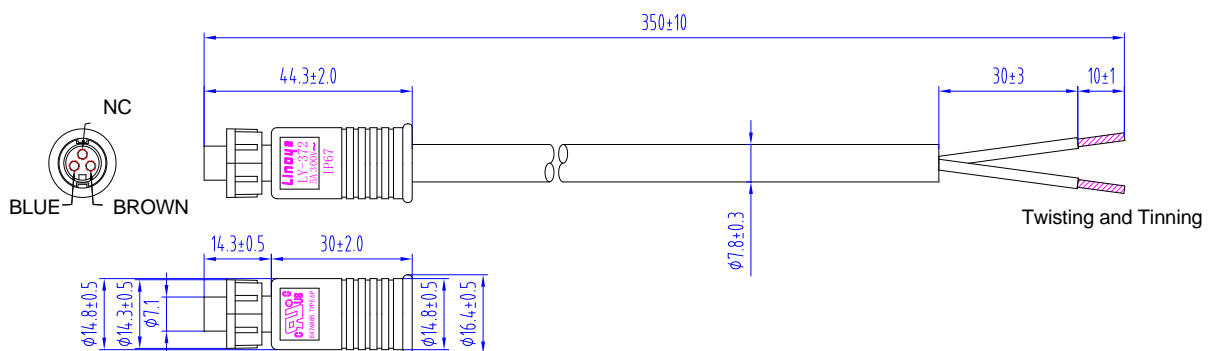
Models

Size	Rating Voltage	Model Number
17AWG (2×1.0mm ²)	300 V	CAB-OTPG

General Specifications

Parameter	Min.	Typ.	Max.	Notes
Temperature Resistance	-40 °C	-	105 °C	
Net Weight	-	34 g	-	

Mechanical Outline



Revision History

Change Date	Rev.	Description of Change		
		Item	From	To
2021-07-22	A	Datasheets Release	/	/