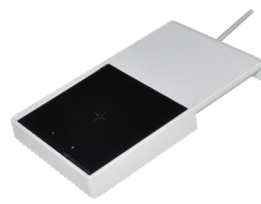


Features

- For Use with Inventronics NFC Enabled Drivers
- ZHAGA Book 24 Compliant
- USB Powered
- IP42 (PRG-NFC-D/PRG-NFC-D2)
IP30 (PRG-NFC-H)
- Connects to Inventronics Multi-Programmer Software



PRG-NFC-D
PRG-NFC-D2



PRG-NFC-H

Description

The PRG-NFC-x is a USB powered NFC programmer, which is used in conjunction with the Inventronics Multi-Programmer Software to wireless program Inventronics NFC enabled drivers.

Models

P/N	Description	Feig Part Number
PRG-NFC-D	Desktop NFC Programmer	Feig CPR30-USB
PRG-NFC-D2	Desktop NFC Programmer	Feig CPR30+
PRG-NFC-H	Handheld NFC Programmer	Feig ISC-PRH101-USB

Note: PRG-NFC-D has Been Discontinued. We Recommend the PRG-NFC-D2 as a Replacement.

Interface Specifications

Parameter	Min.	Typ.	Max.	Notes
Vin	-	5V (USB)	-	
Current Consumption	PRG-NFC-D	-	150 mA	
	PRG-NFC-D2	-	220 mA	
	PRG-NFC-H	-	500 mA	
Transmission Power	PRG-NFC-D	-	100 mW	
	PRG-NFC-D2	-	300 mW	
	PRG-NFC-H	-	500 mW	
Operating Frequency	-	13.56 MHz	-	

General Specifications

Parameter	Min.	Typ.	Max.	Notes
Dimensions	PRG-NFC-D	Inches (L x W x H)	5.67 x 3.31 x 0.71	Plastic (ABA) / acrylic glass
	PRG-NFC-D2	Millimeters (L x W x H)	144 x 84 x 18	
	PRG-NFC-H	Inches (L x W x H)	9.06 x 3.94 x 3.15	ABS plastic
	Millimeters (L x W x H)	230 x 100 x 80		

General Specifications (Continued)

Parameter		Min.	Typ.	Max.	Notes
Net Weight	PRG-NFC-D PRG-NFC-D2	-	105 g	-	
	PRG-NFC-H	-	320 g	-	

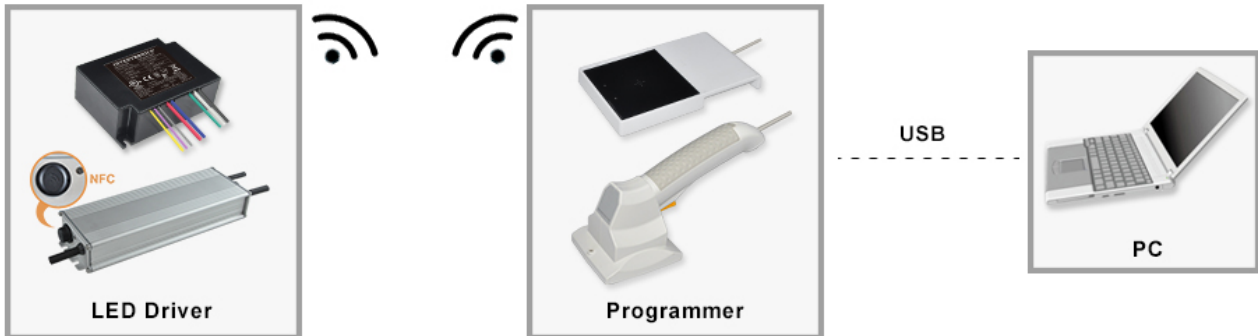
Environmental Specifications

Parameter		Min.	Typ.	Max.	Notes
Operating Temperature	PRG-NFC-D PRG-NFC-D2	-20 °C	-	+60 °C	Relative humidity: 5 to 95 % (non-condensing)
	PRG-NFC-H	0 °C	-	+50 °C	
Storage Temperature	PRG-NFC-D PRG-NFC-D2	-40 °C	-	+85 °C	
	PRG-NFC-H	-20 °C	-	+70 °C	

Standard Conformity

Safety	Standard
Low Voltage	EN 60950
Human Exposure	EN 50364
Radio License	Standard
Europe	EN 300 330
USA	FCC 47 CFR Part 15
Canada	IC RSS-Gen, RSS-210
EMC	EN 301 489
Environment	Standard
WEEE	2002/96/EC
Vibration & Shock	Standard (PRG-NFC-H Only)
Vibration	EN 60068-2-6; 10-150Hz, 0.075mm / 1 g
Shock	EN 60068-27; acceleration: 30 g

Programming Connection Diagram



Note: LED driver does not need to be powered on during the programming process.

USB Driver of Programmer

USB driver of programmer please refer to the link below:

<http://www.inventronics-co.com/resources/software/>

And USB driver can also be downloaded from the site below using the following login data:

<https://www.feig.de/en/>

Login Data	PRG-NFC-D	PRG-NFC-D2	PRG-NFC-H
Username	CPR30USB	CPR30+	MR_PR_PRH101
Password	reader	reader2022	hf_reader

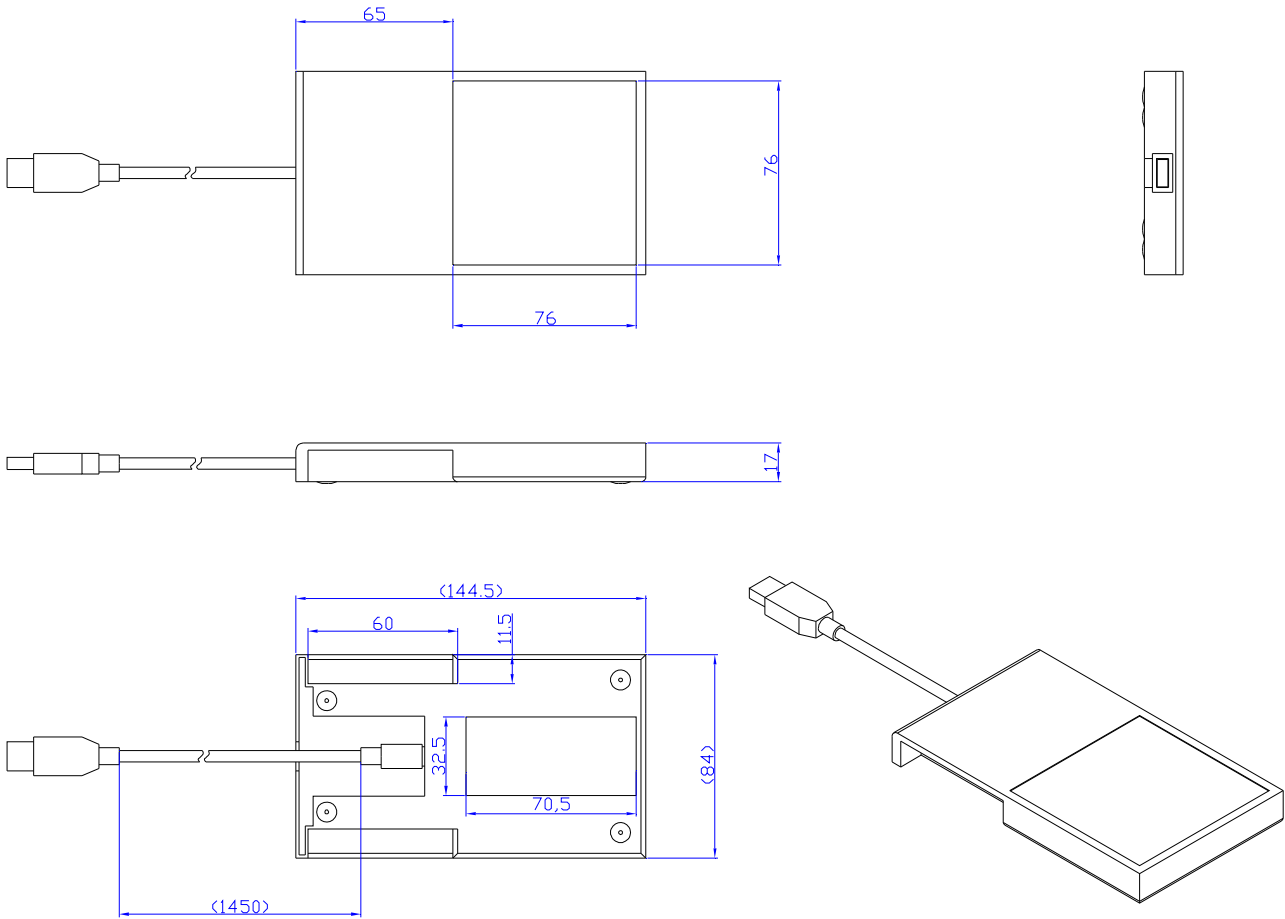
Software Interface of Programmer

Software interface of programmer please refer to the link below:

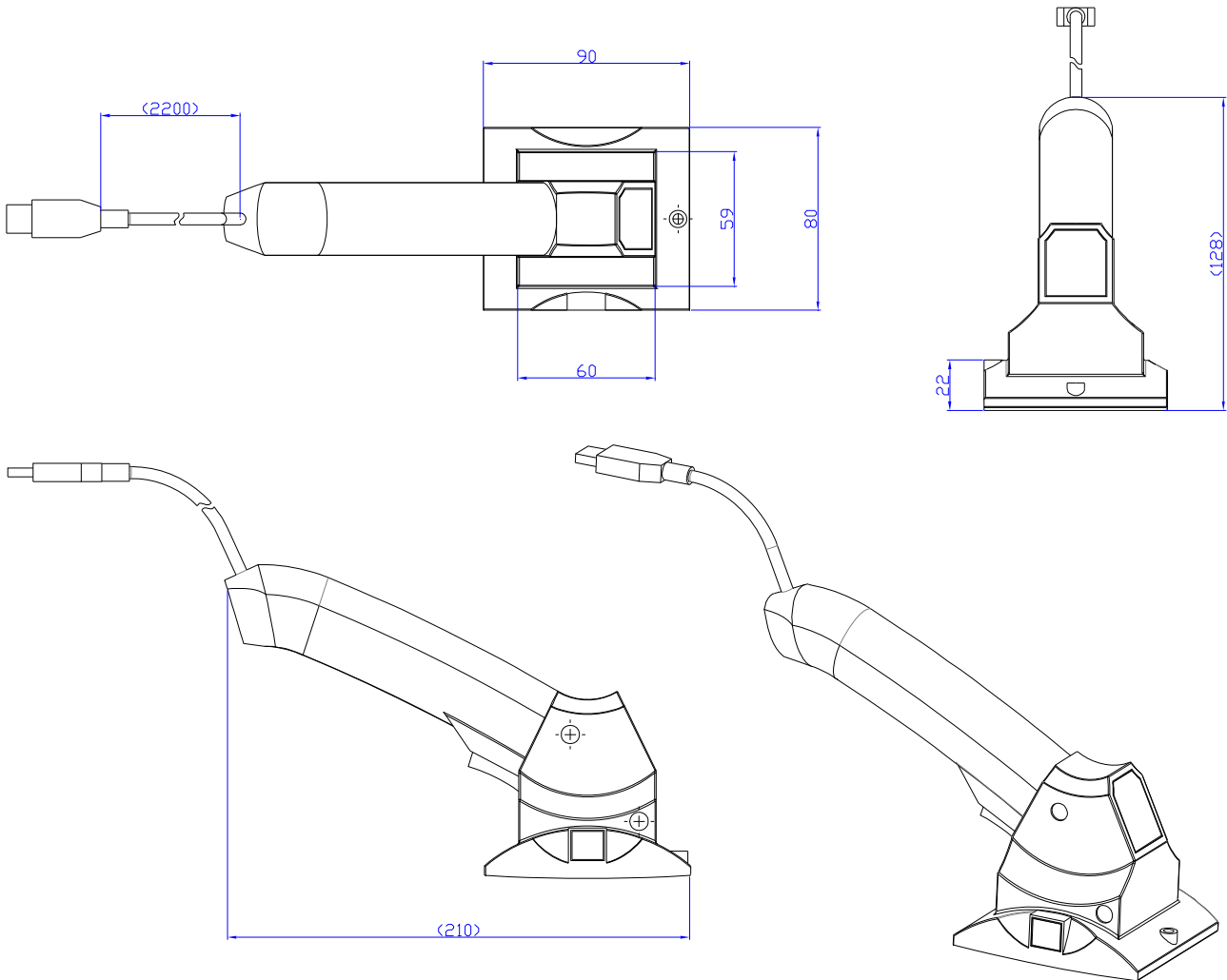
<http://www.inventronics-co.com/resources/software/>

Mechanical Outline

PRG-NFC-D/PRG-NFC-D2



PRG-NFC-H



RoHS Compliance

Our products comply with reference to RoHS Directive (EU) 2015/863 amending 2011/65/EU, calling for the elimination of lead and other hazardous substances from electronic products.

Revision History

Change Date	Rev.	Description of Change		
		Item	From	To
2019-01-19	A	Datasheet Release	/	/
2022-11-16	B	PRG-NFC-D2	/	Added
		Models	Note	Added
2023-11-15	C	Format	/	Updated
		Models	Note	Updated